

CAD Re-assembly instructions

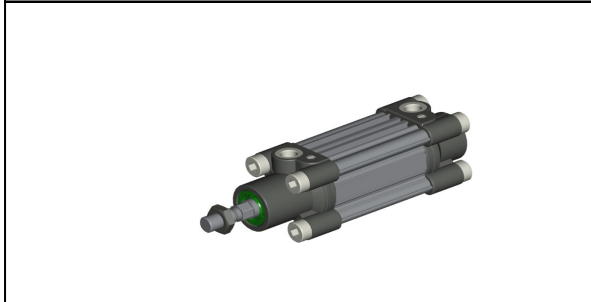
for our neutral CAD file formats

We have created CAD Re-assembly instructions for easy handling in your own CAD system. Use the instruction to re-assemble our neutral CAD files and create your own native files with constrains.

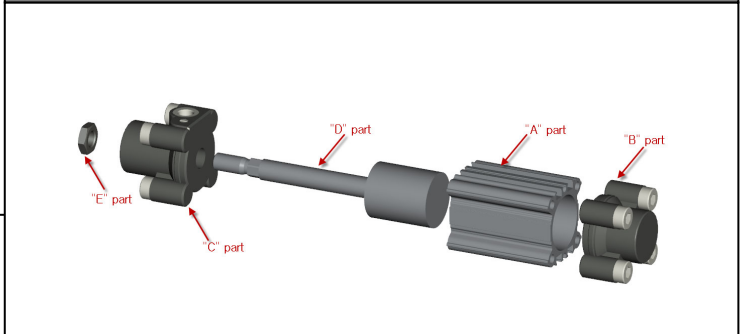
The instructions are available on our CAD download pages.



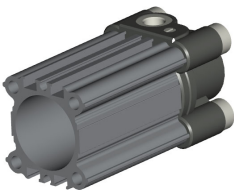
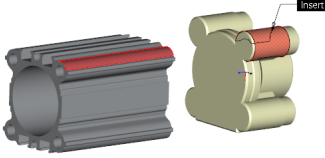
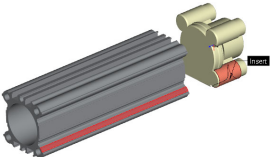
Product: Profile cylinder, Series PRA



Consists of following parts: 5 pcs



Mate instructions, step by step for easy handling

1 - Assemble A & B part.		Parts assembled: 2 (5)	
	Constraint 1(3) : Insert 		
Constraint 2(3) : Insert 	Constraint 3(3) : Mate 