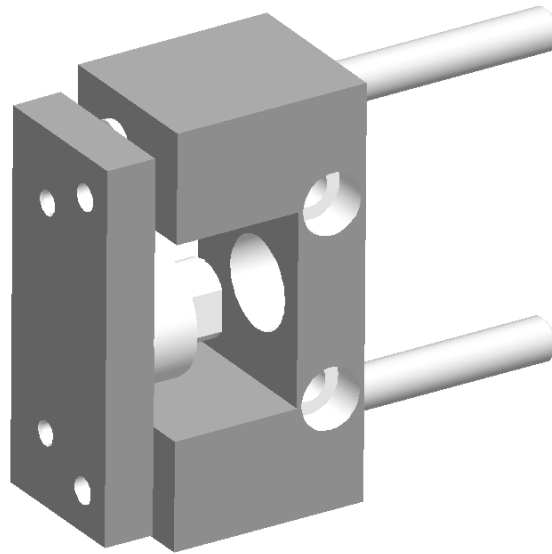


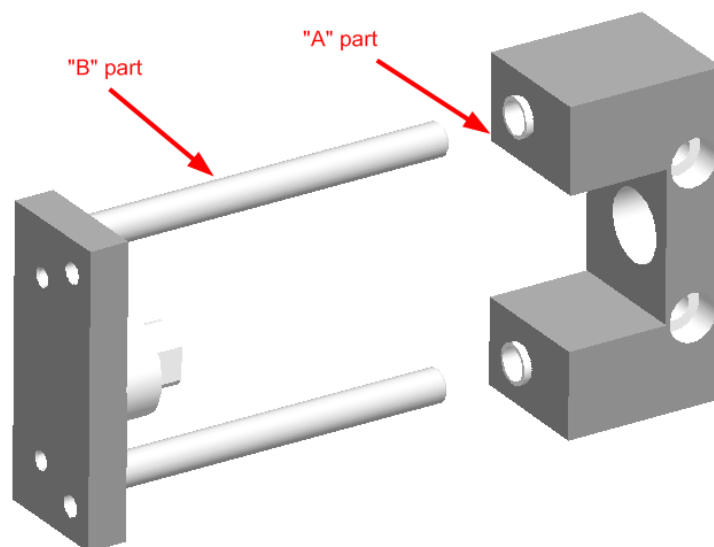
CAD Re-assembly instructions

for our neutral CAD file formats

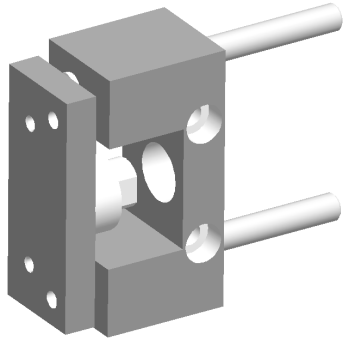
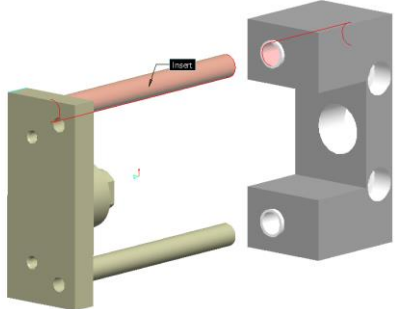
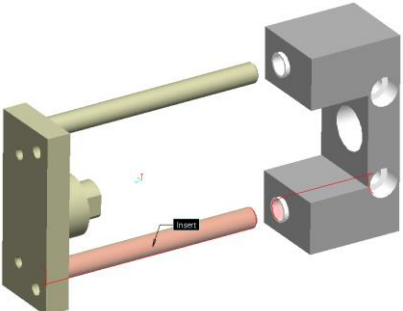
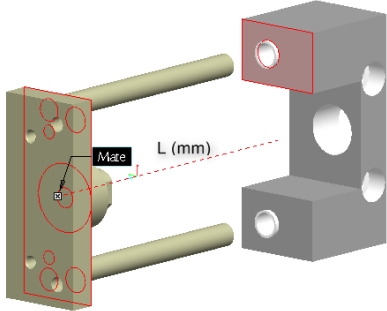
Product: Guide units, Series GU1



Consists of following parts: 2 pcs



Mate instructions, step by step for easy handling

1 - Assembled A & B parts.		Parts assembled: 2 (2)	
		<p>Constraint 1(3): Insert</p> 	
<p>Constraint 2(3): Insert</p> 		<p>Constraint 3(3): Mate (L mm)</p> 	

Diameter (mm)	20	25
L (mm)	5	11