

Gripper and vacuum technology ▶

Ejector, Series EBS

▶ push-in fitting ▶ pneumatic control, T-design ▶ with silencer ▶ vacuum switch: electronic, non-adjustable



00125709

Type	Ejector
Ambient temperature min./max.	+0 °C / +50 °C
Medium temperature min./max.	+0 °C / +50 °C
Working pressure min./max.	3 bar / 6 bar
Medium	Compressed air
Max. particle size	5 μm
Oil content of compressed air	0 mg/m³ - 1 mg/m³
Protection class	IP40
Display	LED
Hysteresis	0,02 bar
Repeatability (% of full scale value)	± 1 %
DC operating voltage	24 V
Voltage tolerance DC	-20% / +10%
Switch output current Max.	60 mA
Local power consumption	<15 mA
Status display	LED
Materials:	
Housing	Polyamide, fiber-glass reinforced
Seal	Acrylonitrile Butadiene Rubber
Nozzle	Aluminum
Release ring	Polyamide
Silencers	Polyethylene

Technical Remarks

- Note: All data refers to an ambient pressure of 1013 mbar and an ambient temperature of 20 °C.
- The pressure dew point must be at least 15 °C under ambient and medium temperature and may not exceed 3 °C.

	Type	Nozzle Ø	Compressed air connection	Vacuum connection	Max. vacuum level at p.opt	Max. suction capacity	Part No.
		[mm]			[%]	[l/min]	
	EBS-PT-05-NN	0.5	Ø 4	Ø 4	84	7	R412007455
	EBS-PT-07-NN	0.7	Ø 4	Ø 4	85	16	R412007456
	EBS-PT-10-NN	1	Ø 6	Ø 8	85	38	R412007457
	EBS-PT-15-NN	1.5	Ø 6	Ø 8	85	70	R412007458
	EBS-PT-20-NN	2	Ø 8	Ø 10	86	123	R412007459
	EBS-PT-25-NN	2.5	Ø 8	Ø 10	82	218	R412007460

Part No.	Air consumption at p.opt.	Sound pressure level intake effect	Sound pressure level intake effect	Protection against overpressure [max.]	Switching point	Weight	Fig.
	[l/min]	[dBA]	[dBA]	[bar]	[bar]	[kg]	
R412007455	14	53	58	5	-0.6	0.086	Fig. 1
R412007456	25	59	65			0.086	Fig. 1
R412007457	48	59	65			0.1	Fig. 2
R412007458	118	66	72			0.1	Fig. 2
R412007459	208	68	77			0.145	Fig. 3
R412007460	311	75	78			0.145	Fig. 3

Switching point: non-adjustable vacuum switch
 Output signal: 1 x PNP, NO (normally open contact)

Supplementary products

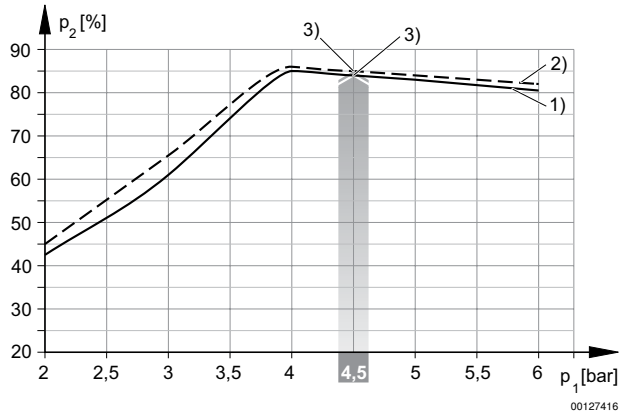
Part numbers marked in bold are available from the central warehouse in Germany, see the shopping basket for more detailed information

Pneumatics catalog, online PDF, as of 2014-12-17, ©AVENTICS S.a.r.l., subject to change

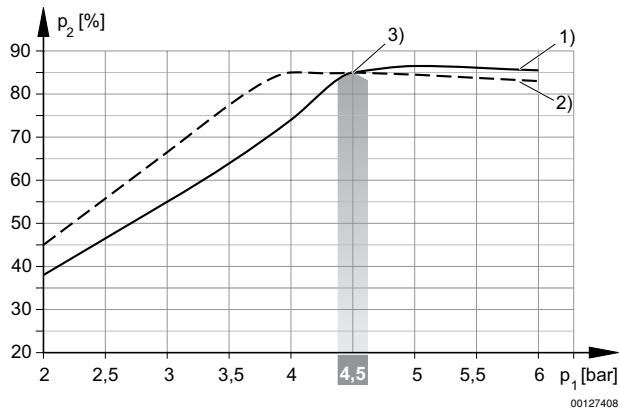
Ejector, Series EBS

▶ push-in fitting ▶ pneumatic control, T-design ▶ with silencer ▶ vacuum switch: electronic, non-adjustable

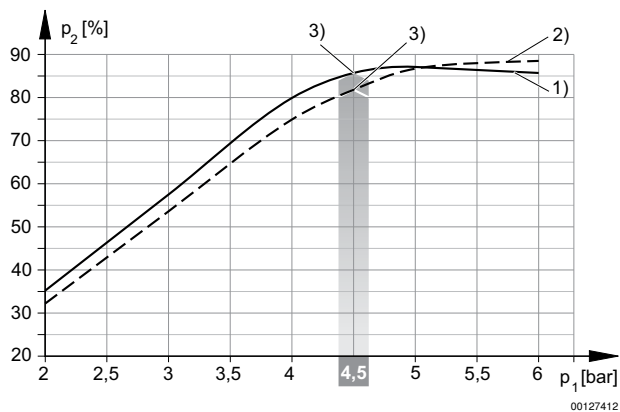
Vacuum p_2 depending on working pressure p_1



1) = Ø nozzle 0.5 mm 2) = Ø nozzle 0.7 mm
3) Working pressure p_{opt} .



1) = Ø nozzle 1.0 mm 2) = Ø nozzle 1.5 mm
3) Working pressure p_{opt} .



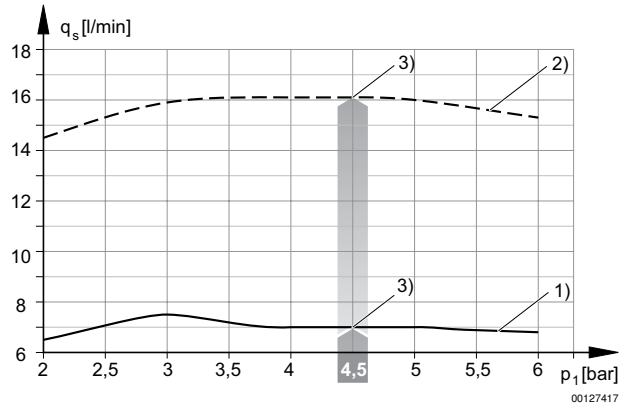
1) = Ø nozzle 2.0 mm 2) = Ø nozzle 2.5 mm
3) Working pressure p_{opt} .

Gripper and vacuum technology ▶

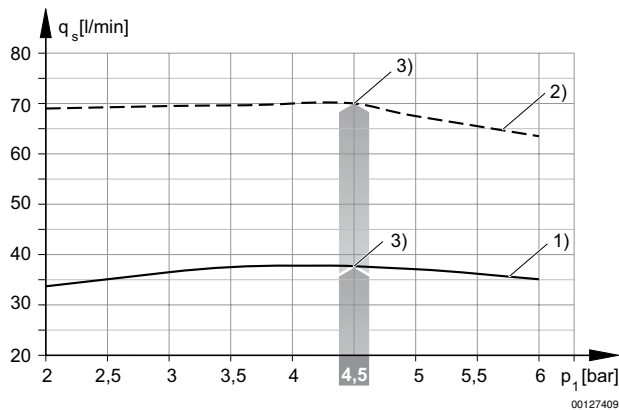
Ejector, Series EBS

▶ push-in fitting ▶ pneumatic control, T-design ▶ with silencer ▶ vacuum switch: electronic, non-adjustable

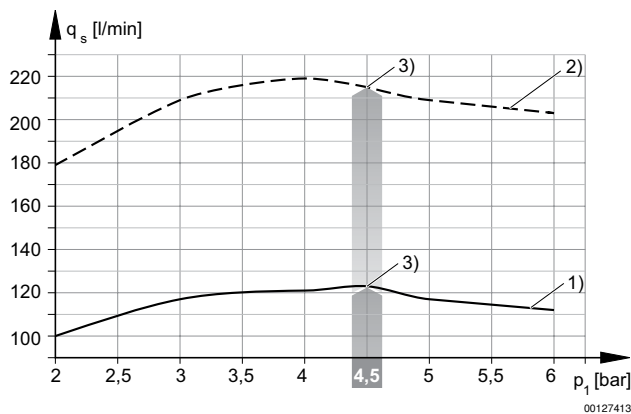
Suction capacity q_s depending on working pressure p_1



1) = Ø nozzle 0.5 mm 2) = Ø nozzle 0.7 mm
3) Working pressure p_{opt} .



1) = Ø nozzle 1.0 mm 2) = Ø nozzle 1.5 mm
3) Working pressure p_{opt} .



1) = Ø nozzle 2.0 mm 2) = Ø nozzle 2.5 mm
3) Working pressure p_{opt} .

Supplementary products

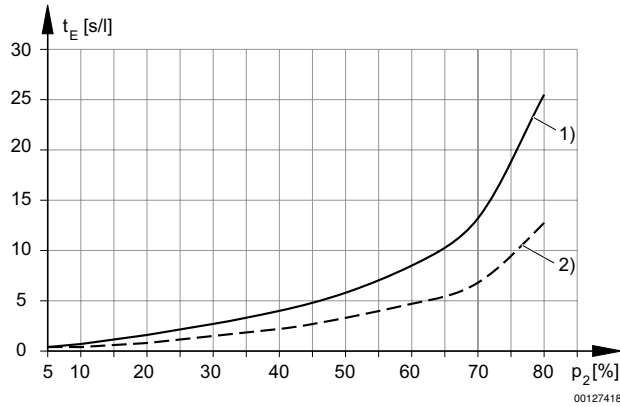
Part numbers marked in bold are available from the central warehouse in Germany, see the shopping basket for more detailed information

Pneumatics catalog, online PDF, as of 2014-12-17, ©AVENTICS S.a.r.l., subject to change

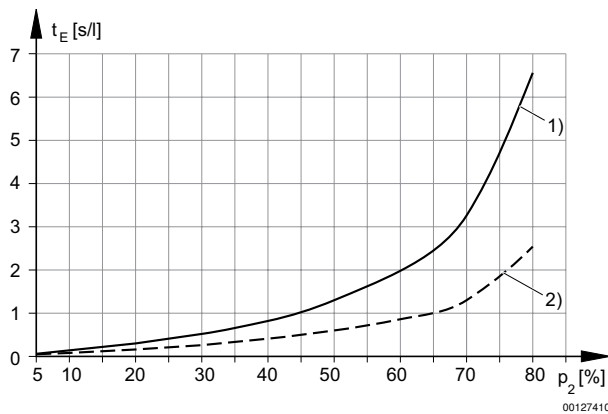
Ejector, Series EBS

▶ push-in fitting ▶ pneumatic control, T-design ▶ with silencer ▶ vacuum switch: electronic, non-adjustable

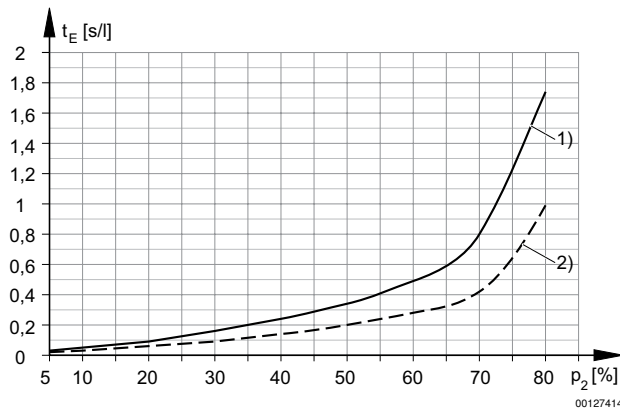
Evacuation time t_E depending on vacuum p_2 for 1 l volume (with optimal operating pressure p_{1opt})



1) = \varnothing nozzle 0.5 mm 2) = \varnothing nozzle 0.7 mm



1) = \varnothing nozzle 1.0 mm 2) = \varnothing nozzle 1.5 mm



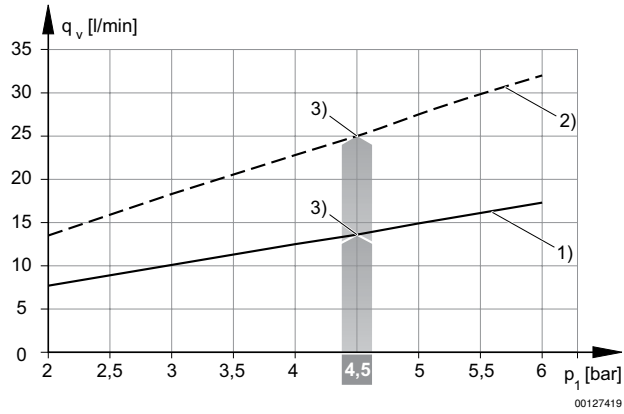
1) = \varnothing nozzle 2.0 mm 2) = \varnothing nozzle 2.5 mm

Gripper and vacuum technology ▶

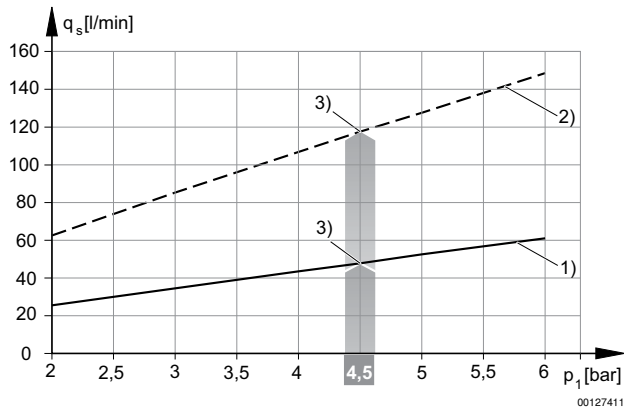
Ejector, Series EBS

▶ push-in fitting ▶ pneumatic control, T-design ▶ with silencer ▶ vacuum switch: electronic, non-adjustable

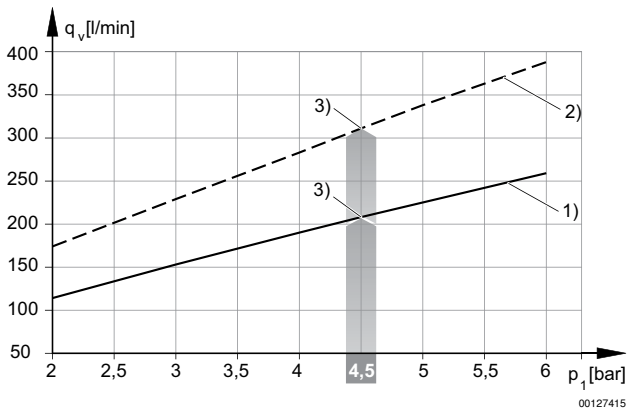
Air consumption q_v depending on working pressure p_1



1) = Ø nozzle 0.5 mm 2) = Ø nozzle 0.7 mm
 3) Working pressure p_{opt} .



1) = Ø nozzle 1.0 mm 2) = Ø nozzle 1.5 mm
 3) Working pressure p_{opt} .



1) = Ø nozzle 2.0 mm 2) = Ø nozzle 2.5 mm
 3) Working pressure p_{opt} .

Supplementary products

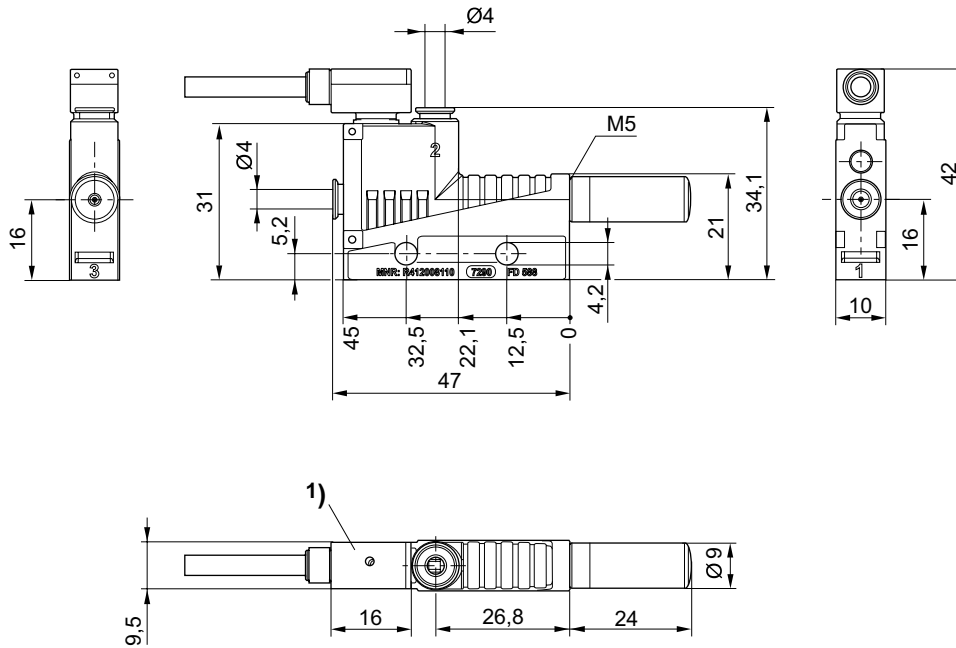
Part numbers marked in bold are available from the central warehouse in Germany, see the shopping basket for more detailed information

Pneumatics catalog, online PDF, as of 2014-12-17, ©AVENTICS S.a.r.l., subject to change

Ejector, Series EBS

▶ push-in fitting ▶ pneumatic control, T-design ▶ with silencer ▶ vacuum switch: electronic, non-adjustable

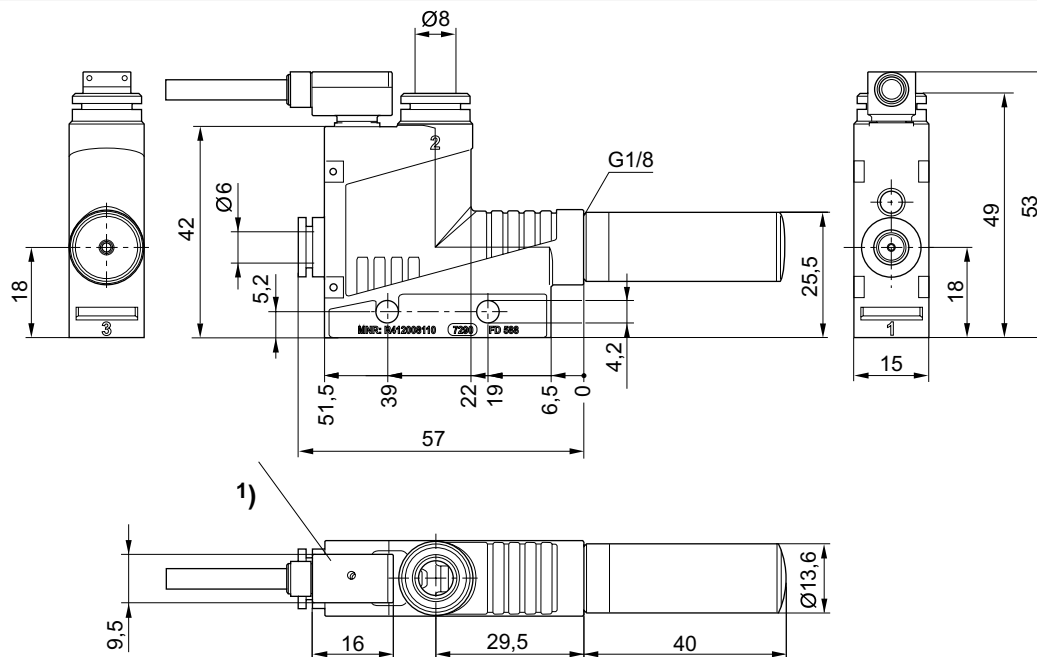
Fig. 1



1) Vacuum switch is rotatable, not exchangeable
Cable length, 3 m, 3-wire, shielded

00127374

Fig. 2



1) Vacuum switch is rotatable, not exchangeable
Cable length, 3 m, 3-wire, shielded

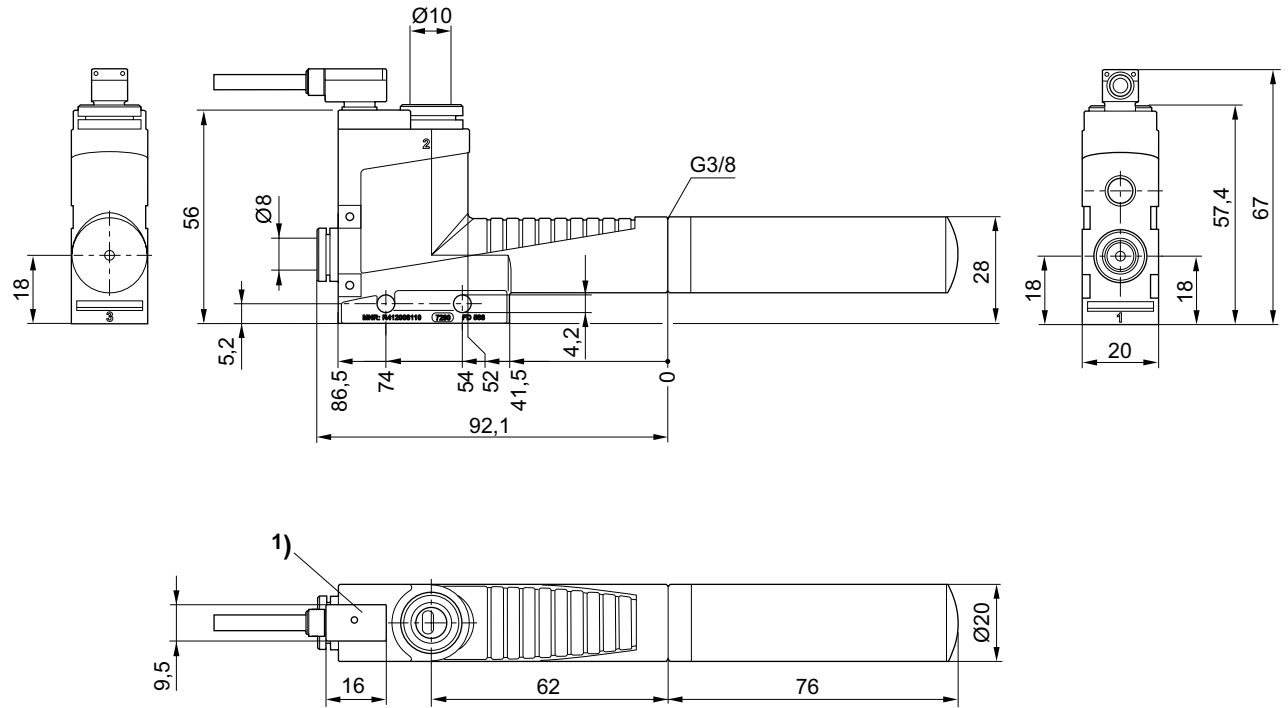
00127376

Gripper and vacuum technology ▶

Ejector, Series EBS

▶ push-in fitting ▶ pneumatic control, T-design ▶ with silencer ▶ vacuum switch: electronic, non-adjustable

Fig. 3



1) Vacuum switch is rotatable, not exchangeable
Cable length, 3 m, 3-wire, shielded

00127379