

Electrical connection technologies ▶ Electrical connection technologies

Multipole plug (44-pin)

▶ Socket, D-Sub, 44-pin ▶ high density



00137718

Ambient temperature min./max.	-5 °C / +50 °C
Protection class	IP65
Operational voltage DC, max.	24 V
Materials:	
Housing	Polyamide

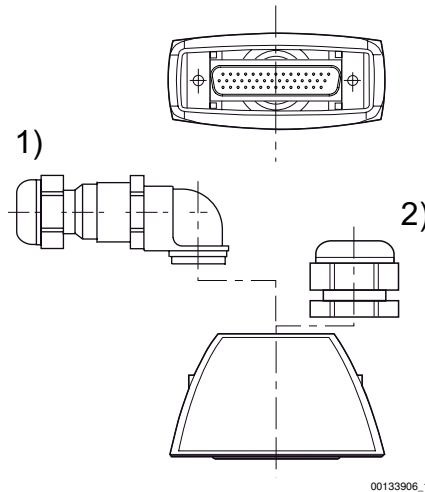
Technical Remarks

- The specified protection class is valid only in assembled and tested state.
- Note for use with VS LP04: The plug can only be used in the LP04 versions with a side electrical connection.

Cable exit	Housing color	Weight [kg]	Part No.
straight 180° angled 90°	Black	0.042	R412011259

Scope of delivery: multipole plug including 1 tube nut and 1 elbow fitting

Dimensions



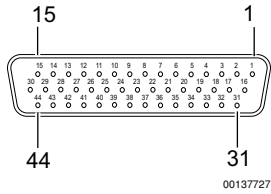
00133906_1

- 1) Elbow fitting
- 2) tube nut

Multipole plug (44-pin)

▶ Socket, D-Sub, 44-pin ▶ high density

Pin assignments



Socket (female)

Pin	1	2	3	4	5	6	7	8	9	10	11	12	13
Color	white	brown	green	yellow	gray	pink	blue	red	black	violet	gray/pink	red/blue	white/green

Pin	14	15	16	17	18	19	20	21	22	23	24	25
Color	brown/green	white/yellow	yellow/brown	white/gray	gray/brown	white/pink	pink/brown	white/blue	brown/blue	white/red	brown/red	white/black

Pin	26	27	28	29	30	31	32	33	34	35	36	37
Color	brown/black	gray/green	yellow/gray	pink/green	yellow/pink	green/blue	yellow/blue	green/red	yellow/red	green/black	yellow/black	gray/blue

Pin	38	39	40	41	42	43	44
Color	pink/blue	gray/red	pink/red	gray/black	pink/black	blue/black	red/black