

Directional valves ▶ Electrically operated

5/3-directional valve, Series TC08

- ▶ Qn = 700 l/min ▶ Pilot valve width: 15 mm ▶ pipe connection ▶ compressed air connection output: G 1/8
- ▶ Electr. connection: Plug, ISO 15217, form C ▶ Manual override: without detent ▶ double solenoid ▶ Qn = 600-800 l/min



00137674

Version	Spool valve, zero overlap
Sealing principle	Soft sealing
Mounting on manifold strip	P-strip
Working pressure min./max.	See table below
Control pressure min./max.	3 bar / 10 bar
Ambient temperature min./max.	-10 °C / +50 °C
Medium temperature min./max.	-10 °C / +50 °C
Medium	Compressed air
Max. particle size	5 µm
Oil content of compressed air	0 mg/m³ - 5 mg/m³
Connector standard	ISO 15217
Degree of protection With connection	IP65
Duty cycle	100 %
Switch-on time	10 ms
Switch-off time	11 ms
Generic emission standard in accordance with mounting screw tightening torque	EN 50081:1992 2 Nm
Weight	0.178 kg
Materials:	
Housing	Polyamide, fiber-glass reinforced
Seals	Acrylonitrile Butadiene Rubber; Polyurethane
Front plate	Polyamide, fiber-glass reinforced

Technical Remarks

- The min. control pressure must be adhered to, since otherwise faulty switching and valve failure may result!
- The pressure dew point must be at least 15 °C under ambient and medium temperature and may not exceed 3 °C.
- The oil content of compressed air must remain constant during the life cycle.
- Use only the approved oils from AVENTICS, see chapter „Technical information“.

Operational voltage	Voltage tolerance	Power consumption
DC	DC	DC
		W
24 V	-10% / +10%	2

	MO	Compressed air connection			Operational voltage	Power consumption	Flow conductance		Part No.
		Input	Output	Exhaust			b	C	
					DC	24 V DC			
						[W]		[l/(s*bar)]	
		G 1/8	G 1/8	G 1/8	24 V	2	0.34	3	0820061101 R422103055
		G 1/8	G 1/8	G 1/8	24 V	2	0.34	3	0820061151 R422103057
		G 1/8	G 1/8	G 1/8	24 V	2	0.34	3	0820061111 R422103059
		G 1/8	G 1/8	G 1/8	24 V	2	0.34	3	0820061161

Directional valves ▶ Electrically operated

5/3-directional valve, Series TC08

▶ Qn = 700 l/min ▶ Pilot valve width: 15 mm ▶ pipe connection ▶ compressed air connection output: G 1/8
 ▶ Electr. connection: Plug, ISO 15217, form C ▶ Manual override: without detent ▶ double solenoid ▶ Qn = 600-800 l/min

	MO	Compressed air connection			Operational voltage	Power consumption	Flow conductance		Part No.		
		Input	Output	Exhaust			DC	24 V DC		b	C
		G 1/8	G 1/8	G 1/8	24 V	2	0.34	3	0820061121		
		G 1/8	G 1/8	G 1/8	24 V	2	0.34	3	0820061171		

Part No.	Flow rate value	Nominal resistance	Working pressure min./max.	Note
	Qn			
	[l/min]		[bar]	
0820061101	700	280	3 / 10	1)
R422103055		-		1); 3)
0820061151	700	280	-0.9 / 10	2)
R422103057		-		2); 3)
0820061111	700	280	3 / 10	1)
R422103059		-		1); 3)
0820061161	700	280	-0.9 / 10	2)
0820061121	700	280	3 / 10	1)
0820061171	700	280	-0.9 / 10	2)

HHB = Manual override

1) Pilot: internal

2) Pilot: External

3) Basic valve without coil

push-in fitting: Brass, nickel-plated; Die cast zinc, chrome-plated

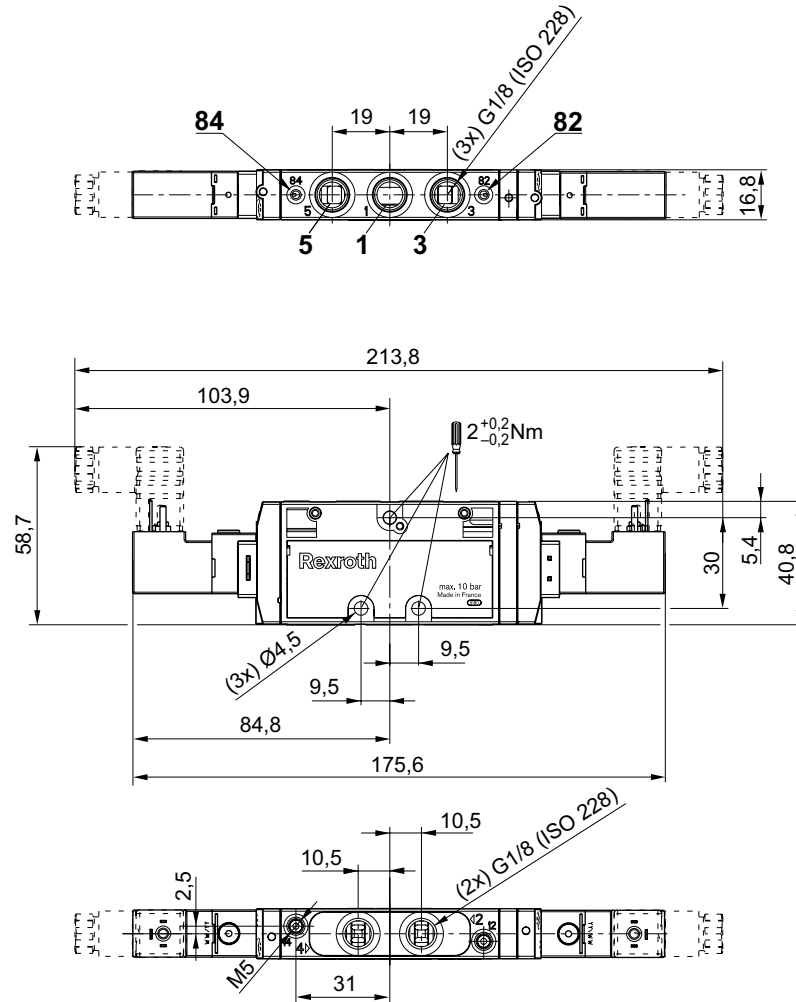
Nominal flow Qn at 6 bar and Δp = 1 bar

Directional valves ▶ Electrically operated

5/3-directional valve, Series TC08

- ▶ Qn = 700 l/min ▶ Pilot valve width: 15 mm ▶ pipe connection ▶ compressed air connection output: G 1/8
- ▶ Electr. connection: Plug, ISO 15217, form C ▶ Manual override: without detent ▶ double solenoid ▶ Qn = 600-800 l/min

Dimensions



00111319