

## Sensor technologies ▶ Distance measuring sensors

### Sensors, Series SM6

▶ 6 mm groove ▶ with cable ▶ Plug, M8x1, 4-pin, with knurled screw ▶ with distance measuring sensor, measurement range 32 - 256 mm



Ambient temperature min./max.	-20 °C / +70 °C
Protection class	IP67
Output signal	0 - 10 V DC, 4 - 20 mA
Quiescent current (without load)	< 25 mA
Current signal	4 - 20 mA
DC operating voltage min./max.	15 V - 30 V
sampling interval	1 ms
Resolution max. measuring range	0,05 mm
Repetitive precision max. measuring range	0.1 mm
Linearity deviation	0,3 mm
Sampling speed	3 m/s
Display	LED
LED status display	Yellow
Vibration resistance	10 - 55 Hz, 1 mm
Shock resistance	30 g / 11 ms

Materials:

Housing	Polyamide, fiber-glass reinforced
Cable sheath	Polyurethane

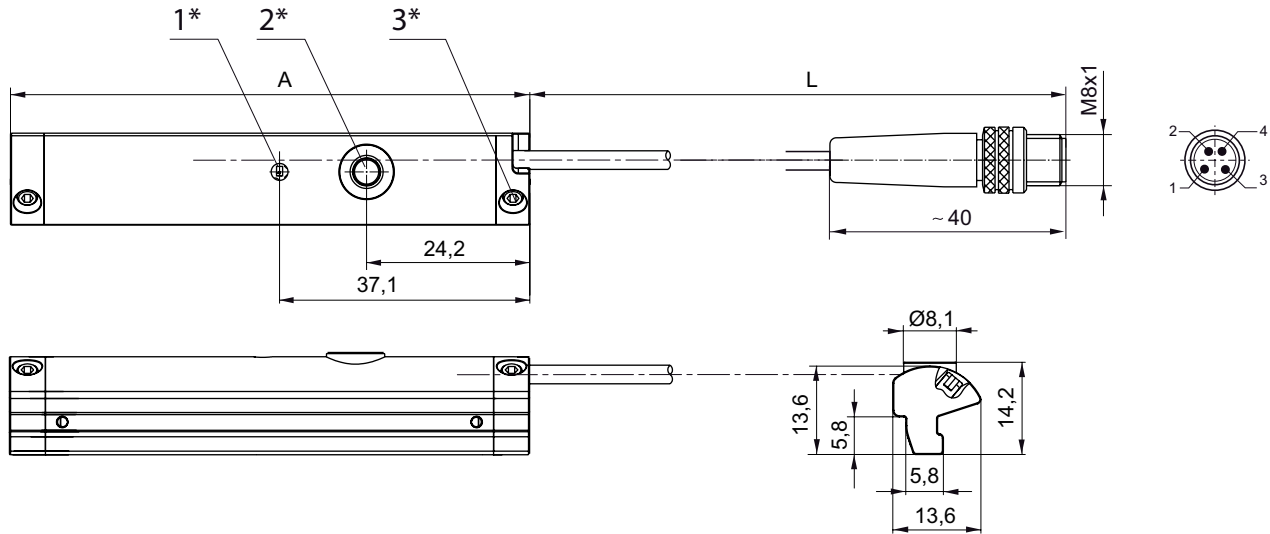
	Type of contact	Cable length	Measurement range Max.	Overall length Sensor A	Part No.
		[m]	[mm]	[mm]	
	Analog	0.3	32	45	<b>R412010142</b>
			64	77	<b>R412010144</b>
			96	109	<b>R412010263</b>
			128	141	<b>R412010265</b>
			160	173	<b>R412010410</b>
			192	205	<b>R412010412</b>
			224	237	R412010414
			256	269	R412010416

interfaces: Plug; M8x1; 4-pin; with knurled screw  
short circuit resistant; Protected against polarity reversal; Overload protection

### Sensors, Series SM6

▶ 6 mm groove ▶ with cable ▶ Plug, M8x1, 4-pin, with knurled screw ▶ with distance measuring sensor, measurement range 32 - 256 mm

#### Dimensions



1\* = LED 2\* = teach button 3\* = threaded pin M3x11

L = cable length

Pin assignment: 1 = (+), 2 = (OUT 1) 3 = (GND), 4 = (OUT 2), EN 60947-5-7

A = sensor length

00133788