

## Pressure Switches, Series PM1

▶ Operating pressure: -0.9 - 16 bar ▶ mechanical ▶ electr. connection: Plug, ISO 4400, form A ▶ Spring-loaded bellow, adjustable



21212

Measurement	Relative pressure
Switching element	microswitch (input/output)
Switching frequency	1,5 Hz
Protection against overpressure	80 bar
Ambient temperature min./max.	-20°C / +80°C
Medium temperature min./max.	-10°C / +80°C
Medium	Compressed air hydraulic oil
Shock resistance max. (XYZ direction)	15 g
Vibration resistance (XYZ direction)	10 g (60 - 500 Hz)
Switching point	adjustable
Hysteresis	max. switching pressure difference
DC operating voltage min./max.	12 V - 125 V
Operational voltage AC min./max.	12 V - 250 V
Mounting orientation	Any
Mounting types	via through holes
Function	change-over contact (mechanical)
Protection class	IP65
Weight	0.16 kg
 Materials:	
Housing	Aluminum
Seals	Acrylonitrile Butadiene Rubber
Bellow	Brass
Electr. connection	Brass, nickel-plated

### Technical Remarks

- Switching function increasing pressure: contact switches from 1-2 to 1-3. Switching function decreasing pressure: contact switches from 1-3 to 1-2.
- Notice: Too-high currents can damage contacts. Inductive or capacitive loads must be equipped with appropriate spark-quenching!
- The microswitch has silver-plated contacts.

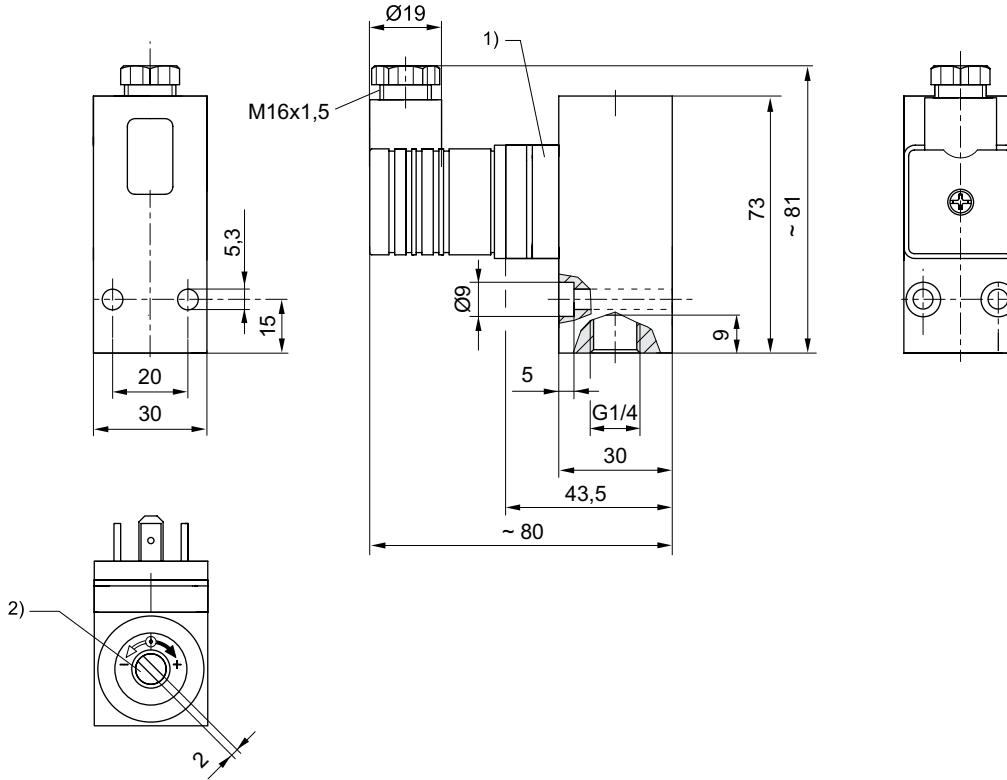
	Type	Operating pressure range min./max.	Compressed air connection	Repeatability (% of full scale value)	Fig.	Note	Part No.
		[bar]					
	PM1-M3-G014	-0.9 / 0	internal thread, G 1/4	± 1 %	Fig. 1	2)	<b>R412010711</b>
	PM1-M3-G014	0.2 / 16	internal thread, G 1/4	± 1 %	Fig. 1	1); 3)	<b>R412010712</b>
	PM1-M3-F001	-0.9 / 0	Flange with O-ring, Ø 5x1,5	± 1 %	Fig. 2	2)	<b>R412010714</b>
	PM1-M3-F001	0.2 / 16	Flange with O-ring, Ø 5x1,5	± 1 %	Fig. 2	1); 3)	<b>R412010715</b>
	PM1-M3-F001	0.2 / 16	Flange with O-ring, Ø 5x1,5	± 1 %	Fig. 2	1); 2)	<b>R412010718</b>

- 1) Min. switching pressure range 0.2 bar falling/0.5 bar rising
- 2) Scope of delivery: with electrical connector
- 3) Scope of delivery: without electrical connector

**Pressure Switches, Series PM1**

▶ Operating pressure: -0.9 - 16 bar ▶ mechanical ▶ electr. connection: Plug, ISO 4400, form A ▶ Spring-loaded bellow, adjustable

Fig. 1



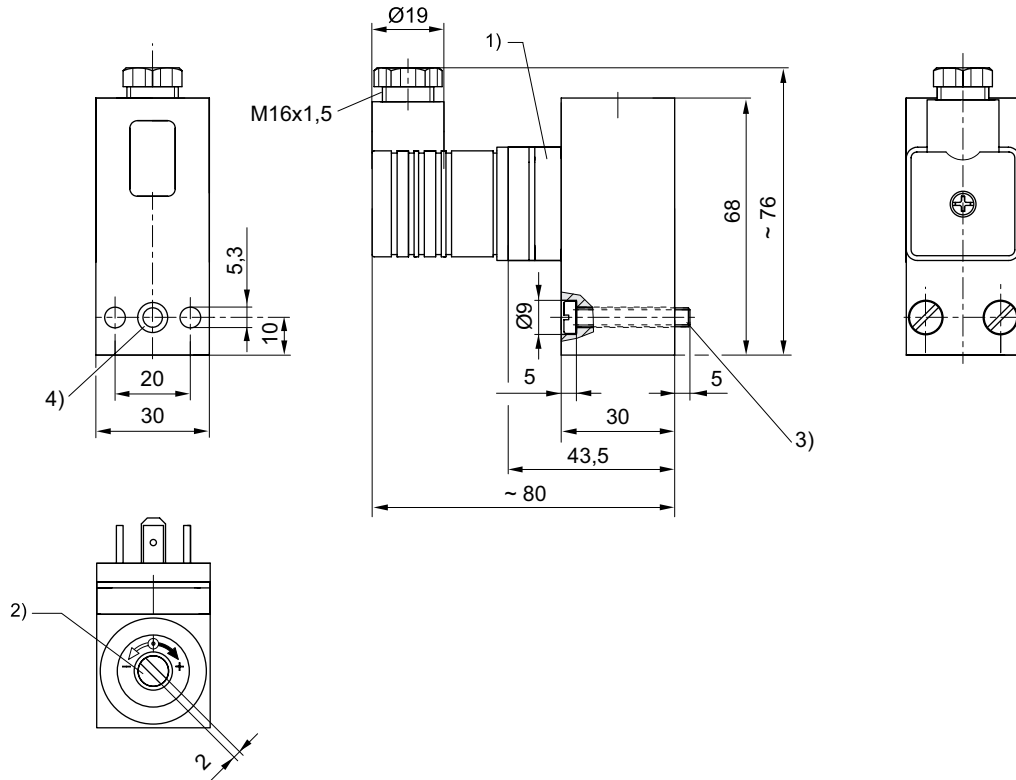
- 1) Electrical connector
- 2) Adjustment screw, self-holding

17184

## Pressure Switches, Series PM1

▶ Operating pressure: -0.9 - 16 bar ▶ mechanical ▶ electr. connection: Plug, ISO 4400, form A ▶ Spring-loaded bellow, adjustable

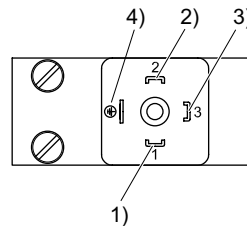
Fig. 2



- 1) Electrical connector
- 2) Adjustment screw, self-holding
- 3) cylinder screw M5x30 (included in scope of delivery)
- 4) O-ring Ø5x1,5 (included)

17185

### PIN assignment for electrical connector



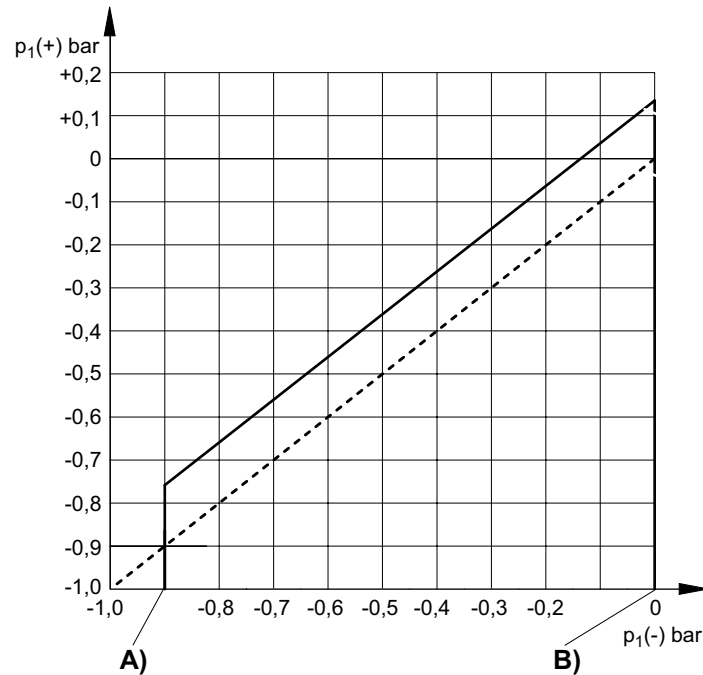
17186

- 1) +UB
- 2) break contact
- 3) make contact
- 4) GND

### Pressure Switches, Series PM1

▶ Operating pressure: -0.9 - 16 bar ▶ mechanical ▶ electr. connection: Plug, ISO 4400, form A ▶ Spring-loaded bellow, adjustable

differential switching pressure characteristic curve (-0,9 – 0 bar)



17187

A)  $p_1(-)$ , min.

B)  $p_1(-)$ , max.

$p_1(+)$  = upper switching pressure with increasing pressure

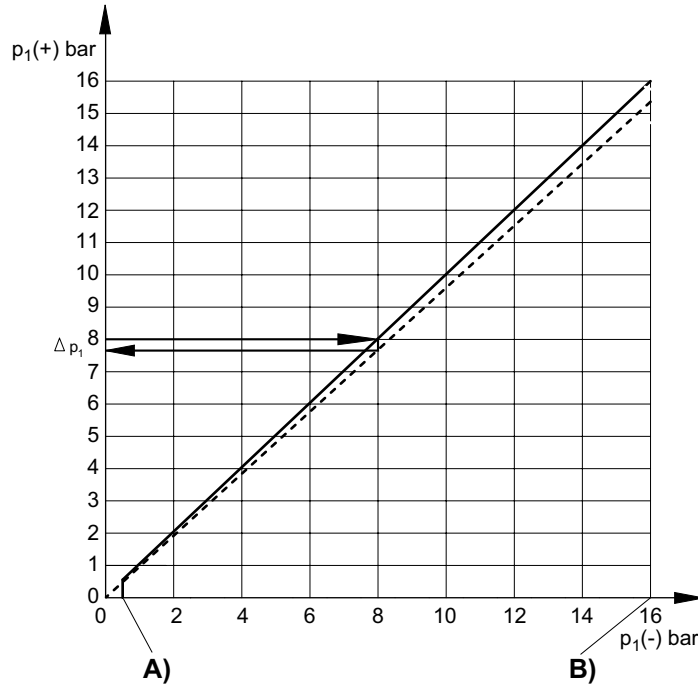
$p_1(-)$  = lower switching pressure with decreasing pressure

Sensor technologies ▶ Pressure sensors

## Pressure Switches, Series PM1

▶ Operating pressure: -0.9 - 16 bar ▶ mechanical ▶ electr. connection: Plug, ISO 4400, form A ▶ Spring-loaded bellow, adjustable

**differential switching pressure characteristic curve (0,2 – 16 bar)**



17188

- A)  $p_1(-)$ , min.
- B)  $p_1(-)$ , max.
- $p_1(+)$  = upper switching pressure with increasing pressure
- $p_1(-)$  = lower switching pressure with decreasing pressure
- $\Delta p_1$  = max. operating pressure difference or hysteresis
- Example:
- $p_1(+)$  = 8 bar >  $p_1(-)$  = 7.6 bar
- $\Delta p_1$  = 0.4 bar

**max. permissible continuous current I max. [A] with ohmic load**

U [V]	30	48	60	125	250						
I [A] 1)	5	5	5	5	5						
I [A] 2)	3	1,2	0,8	0,4	-						

reference cycle: 30/min., reference temperature: +30°C  
 1) AC  
 2) DC

**max. permissible continuous current I max. [A] with inductive load**

U [V]	30	48	60	125	250						
I [A] 1) 3)	3	3	3	3	3						
I [A] 2) 4)	2	0,55	0,4	0,15	-						

reference cycle: 30/min., reference temperature: +30°C  
 1) AC  
 2) DC  
 3)  $\cos \approx 0,7^\circ$   
 4)  $L/R \approx 10$  ms