

Pneumatic connection technologies ▶ Supplementary products

Series QR2-C, stainless steel

Brochure

Rexroth
Pneumatics







Pneumatic connection technologies ▶ Supplementary products

Series QR2-C, stainless steel

	<p>Series QR2 - C Stainless steel</p> <p>▶ Straight fitting ▶ external thread ▶ M5 - G 1/2 ▶ push-in fitting ▶ Ø 4 - Ø 12 ▶ QR2-C-RPN</p>	4
	<p>Series QR2 - C Stainless steel</p> <p>▶ Elbow fitting ▶ external thread ▶ M5 - G 3/8 ▶ push-in fitting ▶ Ø 4 - Ø 12 ▶ QR2-C-RVT</p>	5
	<p>Series QR2 - C Stainless steel</p> <p>▶ 1x banjo bolt ▶ external thread ▶ G 1/8 - G 1/4 ▶ QR2-C-RH1</p>	6
	<p>Series QR2 - C Stainless steel</p> <p>▶ 1x banjo union ▶ G 1/8 - G 1/4 ▶ Ø 4 - Ø 8 ▶ QR2-C-RV1</p>	7
	<p>Series QR2 - C Stainless steel</p> <p>▶ T-union ▶ external thread ▶ M5 - G 1/4 ▶ push-in fitting, 2x ▶ Ø 4 - Ø 8 ▶ QR2-C-RTT</p>	8
	<p>Series QR2 - C Stainless steel</p> <p>▶ Straight plug connector ▶ push-in fitting, 2x ▶ Ø 4 - Ø 12 ▶ QR2-C-RSK</p>	9
	<p>Series QR2 - C Stainless steel</p> <p>▶ Bulkhead plug connector, metal ▶ push-in fitting ▶ Ø 4 - Ø 12 ▶ push-in fitting ▶ Ø 4 - Ø 12 ▶ QR2-C-RSM</p>	10
	<p>Series QR2 - C Stainless steel</p> <p>▶ Bulkhead connector with external thread ▶ G 1/2 - G 3/8 ▶ QR2-C-RSG</p>	11
	<p>Series QR2 - C Stainless steel</p> <p>▶ Angled plug connector ▶ push-in fitting ▶ Ø 4 - Ø 12 ▶ push-in fitting ▶ Ø 4 - Ø 12 ▶ QR2-C-RVK</p>	12
	<p>Series QR2 - C Stainless steel</p> <p>▶ T-plug connector ▶ push-in fitting ▶ Ø 4 - Ø 12 ▶ push-in fitting, 2x ▶ Ø 4 - Ø 12 ▶ QR2-C-RTK</p>	13

Pneumatic connection technologies ▶ Supplementary products
Series QR2-C, stainless steel

	<p>Series QR2 - C Stainless steel ▶ Straight push-in fitting, reducing ▶ push-in fitting ▶ Ø 4 - Ø 8 ▶ pin bushing ▶ Ø 6 - Ø 10 ▶ QR2-C-RED</p>	<p>14</p>
	<p>Series QR2 - C Stainless steel ▶ Straight fitting, conical ▶ external thread ▶ R 1/8 - R 1/2 ▶ push-in fitting ▶ Ø 4 - Ø 12 ▶ QR2-C-RPN</p>	<p>15</p>
	<p>Series QR2 - C Stainless steel ▶ Elbow fitting, conical ▶ external thread ▶ R 1/8 - R 1/2 ▶ push-in fitting ▶ Ø 4 - Ø 12 ▶ QR2-C-RVT</p>	<p>16</p>
	<p>Series QR2 - C Stainless steel ▶ T-union, conical ▶ external thread ▶ R 1/8 - R 3/8 ▶ push-in fitting, 2x ▶ Ø 4 - Ø 10 ▶ QR2-C-RTT</p>	<p>17</p>

Series QR2 - C Stainless steel
▶ Straight fitting ▶ external thread ▶ M5 - G 1/2 ▶ push-in fitting ▶ Ø 4 - Ø 12 ▶ QR2-C-RPN


00119552

Ambient temperature min./max.

-20°C / +150°C

Working pressure min./max.

-0.95 bar / 16 bar

Materials:

Housing

Stainless steel

Seal

Fluorocautchouc

Tooth lock washer

Stainless steel

Release ring

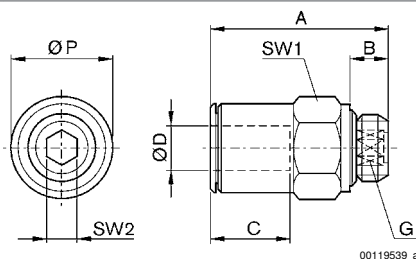
Stainless steel

Thread

Stainless steel

Technical Remarks

- The series QR1 (plastic) and QR2 (metal) can not be combined
- Thread seal with captive O-ring
- For further information about assembling and tolerances of adaptable tubing, see the section "Technical information".

Dimensions


00119539_a

Part No.	Port G	Port D	A	B	C	SW1	SW2	ØP	Delivery quantity [Piece]	Weight [kg]
2544004050	M5	Ø 4	19.5	5	15	9	–	8	2	0.005
R412010036	M7	Ø 4	22.5	5.5	15	11	2.5	9	2	0.01
R412010037	M7	Ø 6	24	5.5	16	11	3.5	11	2	0.01
R412004890	G 1/8	Ø 4	16.5	6	15	13	3	13	2	0.008
R412004891	G 1/8	Ø 6	21.5	6	16	13	4	13	2	0.01
R412004892	G 1/8	Ø 8	24	6	18	13	5	13	2	0.013
R412004893	G 1/4	Ø 6	19	8	16	16	4	16	2	0.015
R412004894	G 1/4	Ø 8	22.5	8	18	16	6	16	2	0.019
R412004895	G 1/4	Ø 10	29.5	8	19	16	7	15	2	0.022
R412004896	G 3/8	Ø 10	30.5	9	19	21	8	15	2	0.039
R412004897	G 3/8	Ø 12	31.5	9	20	21	10	17	2	0.041
R412010043	G 1/2	Ø 10	29	9	14	23	8	25.5	2	0.057

Pneumatic connection technologies ▶ Supplementary products

Series QR2 - C Stainless steel

▶ Elbow fitting ▶ external thread ▶ M5 - G 3/8 ▶ push-in fitting ▶ Ø 4 - Ø 12 ▶ QR2-C-RVT



00119553

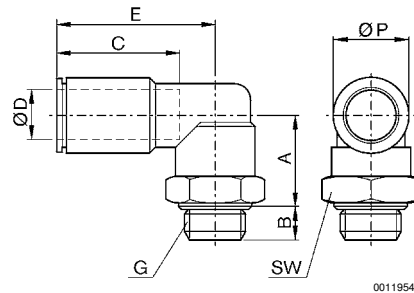
Ambient temperature min./max. -20°C / +150°C
 Working pressure min./max. -0.95 bar / 16 bar

Materials:
 Housing Stainless steel
 Seal Fluorocautchouc
 Tooth lock washer Stainless steel
 Release ring Stainless steel
 Thread Stainless steel

Technical Remarks

- The series QR1 (plastic) and QR2 (metal) can not be combined
- Thread seal with captive O-ring
- For further information about assembling and tolerances of adaptable tubing, see the section "Technical information".

Dimensions



00119540

Part No.	Port G	Port D	A	B	C	E	SW	Ø P	Delivery quantity [Piece]	Weight [kg]
R412005617	M5	Ø 4	15	4	15	14.5	9	9	2	0.008
R412004898	G 1/8	Ø 4	14.5	5.5	15	19.5	13	9	2	0.012
R412004899	G 1/8	Ø 6	16.5	5.5	16	19.5	13	11	2	0.02
R412004900	G 1/8	Ø 8	18.5	5.5	18	19.5	13	13	2	0.022
R412004901	G 1/4	Ø 6	15.5	6.5	16	20.5	16	11	2	0.024
R412005616	G 1/4	Ø 8	17.5	6.5	18	20.5	16	13	2	0.025
R412004902	G 3/8	Ø 10	18.5	7	19	24	21	16	1	0.043
R412004903	G 3/8	Ø 12	21	7	19	26.5	21	19	1	0.06

Series QR2 - C Stainless steel

▶ 1x banjo bolt ▶ external thread ▶ G 1/8 - G 1/4 ▶ QR2-C-RH1



00119554

Ambient temperature min./max.
Working pressure min./max.

-20°C / +150°C
-0.95 bar / 16 bar

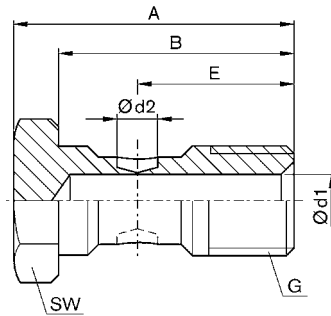
Materials:
Housing
Seal
Thread

Stainless steel
Polytetrafluorethylene
Stainless steel

Technical Remarks

- The series QR1 (plastic) and QR2 (metal) can not be combined
- For further information about assembling and tolerances of adaptable tubing, see the section "Technical information".

Dimensions



00119541

Part No.	Port G	A	B	E	Ø d1	Ø d2	SW	Delivery quantity [Piece]	Weight [kg]		
R412004978	G 1/8	29	24.8	15.5	5	3.5	14	2	0.014		
R412004979	G 1/4	32.5	27.5	17.5	7	5	17	2	0.027		

Pneumatic connection technologies ▶ Supplementary products

Series QR2 - C Stainless steel

▶ 1x banjo union ▶ G 1/8 - G 1/4 ▶ Ø 4 - Ø 8 ▶ QR2-C-RV1



00119555

Ambient temperature min./max. -20°C / +150°C
 Working pressure min./max. -0.95 bar / 16 bar

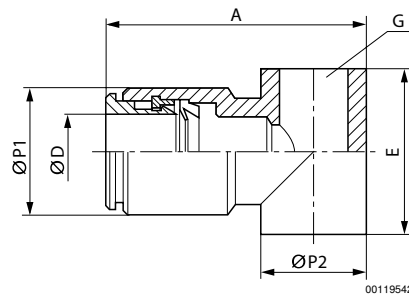
Materials:

Housing	Stainless steel
Seal	Fluorocautchouc
Tooth lock washer	Stainless steel
Release ring	Stainless steel

Technical Remarks

- The series QR1 (plastic) and QR2 (metal) can not be combined
- For further information about assembling and tolerances of adaptable tubing, see the section "Technical information".

Dimensions



00119542

Part No.	Port G	Port D	A	E	Ø P1	Ø P2	Delivery quantity [Piece]	Weight [kg]				
R412004973	G 1/8	Ø 4	27	15	9	14	2	0.013				
R412004974	G 1/8	Ø 6	29	15	12	14	2	0.016				
R412004975	G 1/8	Ø 8	29.5	15	14	14	2	0.017				
R412004976	G 1/4	Ø 6	32.5	17	12	18	2	0.019				
R412004977	G 1/4	Ø 8	33	17	14	18	2	0.02				

Series QR2 - C Stainless steel
▶ T-union ▶ external thread ▶ M5 - G 1/4 ▶ push-in fitting, 2x ▶ Ø 4 - Ø 8 ▶ QR2-C-RTT

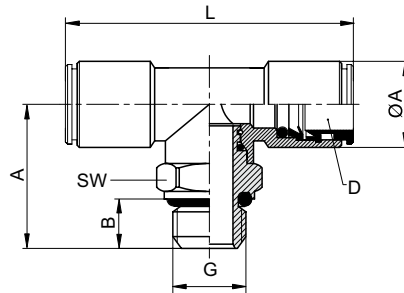

00119556

Ambient temperature min./max. -20°C / +150°C
 Working pressure min./max. -0.95 bar / 16 bar

Materials:
 Housing Stainless steel
 Seal Fluorocautchouc
 Tooth lock washer Stainless steel
 Release ring Stainless steel
 Thread Stainless steel

Technical Remarks

- The series QR1 (plastic) and QR2 (metal) can not be combined
- Thread seal with captive O-ring
- For further information about assembling and tolerances of adaptable tubing, see the section "Technical information".

Dimensions


00119543

Part No.	Port G	Port D	A	Ø A	B	C	E	SW	Delivery quantity [Piece]	Weight [kg]		
R412004889	M5	Ø 4	18	9	4	15	34	9	2	0.013		
R412004904	G 1/8	Ø 4	20	9	5	15	34	13	2	0.017		
R412004905	G 1/8	Ø 6	22.5	12	5	16	42	13	2	0.029		
R412004906	G 1/8	Ø 8	22.5	14	5	18	43	13	2	0.03		
R412004907	G 1/4	Ø 6	24.5	12	6.5	16	42	16	2	0.033		
R412004908	G 1/4	Ø 8	24.5	14	6.5	18	43	16	2	0.035		

Pneumatic connection technologies ▶ Supplementary products

Series QR2 - C Stainless steel

▶ Straight plug connector ▶ push-in fitting, 2x ▶ Ø 4 - Ø 12 ▶ QR2-C-RSK



00119557

Ambient temperature min./max. -20°C / +150°C
 Working pressure min./max. -0.95 bar / 16 bar

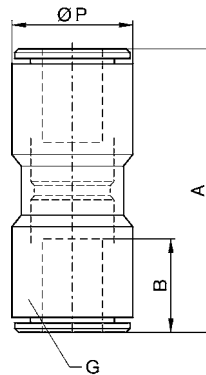
Materials:

Housing	Stainless steel
Seal	Fluorocautchouc
Tooth lock washer	Stainless steel
Release ring	Stainless steel

Technical Remarks

- The series QR1 (plastic) and QR2 (metal) can not be combined
- For further information about assembling and tolerances of adaptable tubing, see the section "Technical information".

Dimensions



00119544

Part No.	Port G	A	B	Ø P	Delivery quantity [Piece]	Weight [kg]					
R412004982	Ø 4	30	15	9	2	0.011					
R412004983	Ø 6	33	16	11	2	0.016					
R412004984	Ø 8	37	18	13	2	0.018					
R412004985	Ø 10	37	19	15	2	0.025					
R412004986	Ø 12	39	20	17	2	0.03					

Series QR2 - C Stainless steel
▶ Bulkhead plug connector, metal ▶ push-in fitting ▶ Ø 4 - Ø 12 ▶ push-in fitting ▶ Ø 4 - Ø 12 ▶ QR2-C-RSM

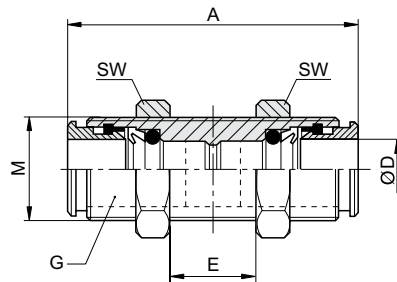

00119558

Ambient temperature min./max. -20°C / +150°C
 Working pressure min./max. -0.95 bar / 16 bar

Materials:
 Housing Stainless steel
 Seal Fluorocautchouc
 Tooth lock washer Stainless steel
 Release ring Stainless steel

Technical Remarks

- The series QR1 (plastic) and QR2 (metal) can not be combined
- For further information about assembling and tolerances of adaptable tubing, see the section "Technical information".

Dimensions


00119545

Part No.	Port G	Port D	M	A	C	E 1)	SW	Delivery quantity [Piece]	Weight [kg]			
2544404000	Ø 4	Ø 4	M12x1	27	13.5	11	15	2	0.024			
2544406000	Ø 6	Ø 6	M14x1	32.5	16.2	16	17	2	0.031			
2544408000	Ø 8	Ø 8	M16x1	33	16.5	17	19	2	0.038			
2544410000	Ø 10	Ø 10	M18x1	37.5	18.7	19	21	2	0.051			
2544412000	Ø 12	Ø 12	M20x1	39.5	19.7	20	24	2	0.06			

1) max.

Pneumatic connection technologies ▶ Supplementary products

Series QR2 - C Stainless steel

▶ Bulkhead connector with external thread ▶ G 1/2 - G 3/8 ▶ QR2-C-RSG



00124885

Ambient temperature min./max.
Working pressure min./max.

-20°C / +150°C
-0.95 bar / 16 bar

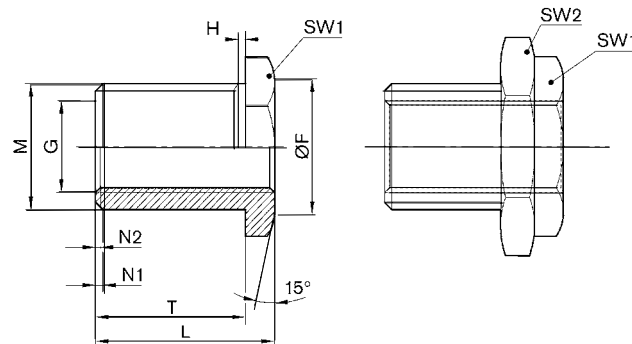
Materials:
Housing
Thread

Stainless steel
Stainless steel

Technical Remarks

- The series QR1 (plastic) and QR2 (metal) can not be combined
- For further information about assembling and tolerances of adaptable tubing, see the section "Technical information".

Dimensions



00128544

Part No.	Port G	M	L	T	N1	N2	H	Ø F	SW1	SW2	Delivery quantity [Piece]
R415009442	G 1/2	M28x1,5	33	27	1x45	1x45	2	31	32	36	1
R412004961	G 1/8	M16x1,5	18	14	1x45	0,5x45	1	18	19	22	2
R412004962	G 1/4	M20x1,5	25	21	1x45	1x45	2	23	24	27	2
R412004963	G 3/8	M26x1,5	26	21	1x45	1x45	2	29	30	32	2

Part No.	Weight [kg]										
R415009442	0.11										
R412004961	0.028										
R412004962	0.054										
R412004963	0.09										

Series QR2 - C Stainless steel
▶ Angled plug connector ▶ push-in fitting ▶ Ø 4 - Ø 12 ▶ push-in fitting ▶ Ø 4 - Ø 12 ▶ QR2-C-RVK

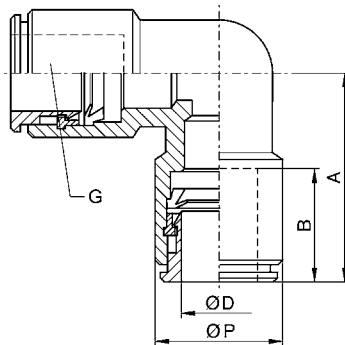

00119559

Ambient temperature min./max. -20°C / +150°C
 Working pressure min./max. -0.95 bar / 16 bar

Materials:
 Housing Stainless steel
 Seal Fluorocautchouc
 Tooth lock washer Stainless steel
 Release ring Stainless steel

Technical Remarks

- The series QR1 (plastic) and QR2 (metal) can not be combined
- For further information about assembling and tolerances of adaptable tubing, see the section "Technical information".

Dimensions


00119546

Part No.	Port G	Port D	A	B	Ø P	Delivery quantity [Piece]	Weight [kg]						
2544204000	Ø 4	Ø 4	17	15	9	2	0.011						
2544206000	Ø 6	Ø 6	20	16	12	2	0.018						
2544208000	Ø 8	Ø 8	21	18	14	2	0.023						
2544210000	Ø 10	Ø 10	25	19	16	2	0.041						
2544212000	Ø 12	Ø 12	27	20	18	2	0.044						

Pneumatic connection technologies ▶ Supplementary products

Series QR2 - C Stainless steel

▶ T-plug connector ▶ push-in fitting ▶ Ø 4 - Ø 12 ▶ push-in fitting, 2x ▶ Ø 4 - Ø 12 ▶ QR2-C-RTK



00119560

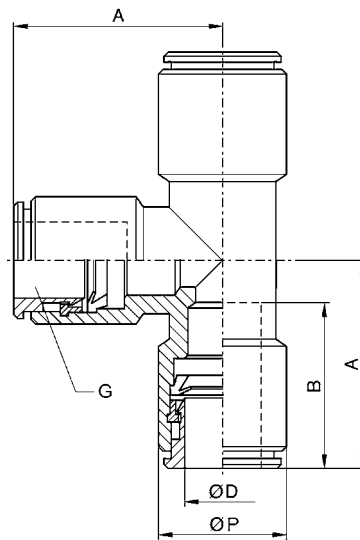
Ambient temperature min./max. -20°C / +150°C
 Working pressure min./max. -0.95 bar / 16 bar

Materials:
 Housing Stainless steel
 Seal Fluorocautchouc
 Tooth lock washer Stainless steel
 Release ring Stainless steel

Technical Remarks

- The series QR1 (plastic) and QR2 (metal) can not be combined
- For further information about assembling and tolerances of adaptable tubing, see the section "Technical information".

Dimensions



00119547

Part No.	Port G	Port D	A	B	Ø P	Delivery quantity [Piece]	Weight [kg]					
2544304000	Ø 4	Ø 4	17	15	9	2	0.014					
2544306000	Ø 6	Ø 6	20	16	12	2	0.029					
2544308000	Ø 8	Ø 8	21	18	14	2	0.031					
2544310000	Ø 10	Ø 10	25	19	16	2	0.055					
2544312000	Ø 12	Ø 12	27	20	18	2	0.059					

Supplementary products

Part numbers marked in bold are available from the central warehouse in Germany, see the shopping basket for more detailed information

Pneumatics catalog, online PDF, as of 2014-10-23, ©AVENTICS S.a.r.l., subject to change

Series QR2 - C Stainless steel
▶ Straight push-in fitting, reducing ▶ push-in fitting ▶ Ø 4 - Ø 8 ▶ pin bushing ▶ Ø 6 - Ø 10 ▶ QR2-C-RED


00119561

 Ambient temperature min./max.
 Working pressure min./max.

 -20°C / +150°C
 -0.95 bar / 16 bar

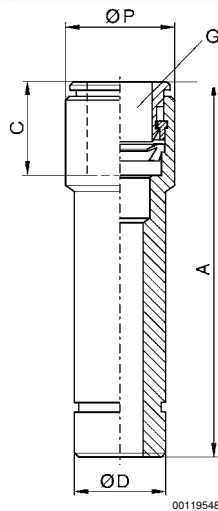
Materials:

 Housing
 Seal
 Tooth lock washer
 Release ring

 Stainless steel
 Fluorocautchouc
 Stainless steel
 Stainless steel

Technical Remarks

- The series QR1 (plastic) and QR2 (metal) can not be combined
- For further information about assembling and tolerances of adaptable tubing, see the section "Technical information".

Dimensions


00119548

Part No.	Port G	Port D	A	C	Ø P	Delivery quantity [Piece]	Weight [kg]						
2544506040	Ø 4	Ø 6	27	15	9	2	0.006						
2544508060	Ø 6	Ø 8	32.5	16	12	2	0.01						
2544510080	Ø 8	Ø 10	33	18	14	2	0.015						

Pneumatic connection technologies ▶ Supplementary products

Series QR2 - C Stainless steel

▶ Straight fitting, conical ▶ external thread ▶ R 1/8 - R 1/2 ▶ push-in fitting ▶ Ø 4 - Ø 12 ▶ QR2-C-RPN



00119562

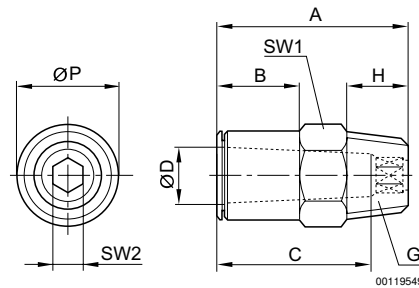
Ambient temperature min./max. -20°C / +150°C
 Working pressure min./max. -0.95 bar / 16 bar

Materials:
 Housing Stainless steel
 Seal Fluorocarbon
 Tooth lock washer Stainless steel
 Release ring Stainless steel
 Thread Stainless steel

Technical Remarks

- The series QR1 (plastic) and QR2 (metal) can not be combined
- For further information about assembling and tolerances of adaptable tubing, see the section "Technical information".

Dimensions



00119549

Part No.	Port G	Port D	A	B	C	H	SW1	SW2	Ø P	Delivery quantity [Piece]	Weight [kg]
2544004180	R 1/8	Ø 4	18	5	15	6.5	10	3	9	2	0.006
2544006180	R 1/8	Ø 6	20.5	6	18	7.5	12	5	11	2	0.009
2544008180	R 1/8	Ø 8	24	11.5	16	7.5	14	6	13	2	0.014
2544004140	R 1/4	Ø 4	21.5	1.5	16	10.5	14	3	9	2	0.016
2544006140	R 1/4	Ø 6	20.5	2.5	15	11	14	5	11	2	0.014
2544008140	R 1/4	Ø 8	22.5	4.5	19	11	14	6	13	2	0.014
2544010140	R 1/4	Ø 10	29.5	11	19	11	16	9	16	2	0.021
2544010380	R 3/8	Ø 10	25.5	6	19	11.5	17	5	16	1	0.021
2544012380	R 3/8	Ø 12	31.5	11	20	11.5	19	10	18	1	0.026
2544012120	R 1/2	Ø 12	31.5	8.5	20	14	22	10	18	1	0.041

Series QR2 - C Stainless steel

▶ Elbow fitting, conical ▶ external thread ▶ R 1/8 - R 1/2 ▶ push-in fitting ▶ Ø 4 - Ø 12 ▶ QR2-C-RVT



00119563

Ambient temperature min./max. -20°C / +150°C
Working pressure min./max. -0.95 bar / 16 bar

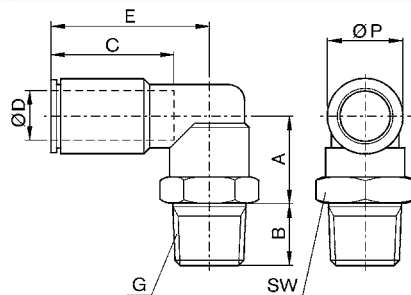
Materials:

Housing	Stainless steel
Seal	Fluorocautchouc
Tooth lock washer	Stainless steel
Release ring	Stainless steel
Thread	Stainless steel

Technical Remarks

- The series QR1 (plastic) and QR2 (metal) can not be combined
- For further information about assembling and tolerances of adaptable tubing, see the section "Technical information".

Dimensions



00119550

Part No.	Port G	Port D	A	B	C	E	SW	Ø P	Delivery quantity [Piece]	Weight [kg]
2544104180	R 1/8	Ø 4	13	7	15	20	13	9	2	0.011
2544106180	R 1/8	Ø 6	13	7	16	21	13	11	2	0.021
2544108180	R 1/8	Ø 8	13	7	18	24	13	13	2	0.022
2544104140	R 1/4	Ø 4	14	11	15	20	14	9	2	0.025
2544106140	R 1/4	Ø 6	14	11	16	21	14	11	2	0.027
2544108140	R 1/4	Ø 8	14	11	18	24	14	13	2	0.028
2544110140	R 1/4	Ø 10	14.5	11	17	26.5	16	16	2	0.037
2544110380	R 3/8	Ø 10	15.5	11.5	17	25.5	17	16	1	0.034
2544112380	R 3/8	Ø 12	19	11.5	18.5	28	20	18	1	0.066
2544112120	R 1/2	Ø 12	19.5	14	18.5	28	22	18	1	0.067

Pneumatic connection technologies ▶ Supplementary products

Series QR2 - C Stainless steel

▶ T-union, conical ▶ external thread ▶ R 1/8 - R 3/8 ▶ push-in fitting, 2x ▶ Ø 4 - Ø 10 ▶ QR2-C-RTT



00119564

Ambient temperature min./max.
Working pressure min./max.

-20°C / +150°C
-0.95 bar / 16 bar

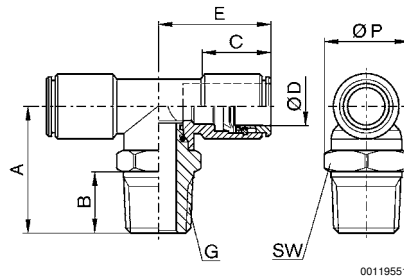
Materials:

Housing	Stainless steel
Seal	Fluorocautchouc
Tooth lock washer	Stainless steel
Release ring	Stainless steel
Thread	Stainless steel

Technical Remarks

- The series QR1 (plastic) and QR2 (metal) can not be combined
- For further information about assembling and tolerances of adaptable tubing, see the section "Technical information".

Dimensions



00119551

Part No.	Port G	Port D	A	B	C	E	SW	Ø P	Delivery quantity [Piece]	Weight [kg]
R412004968	R 1/8	Ø 4	21.5	7.5	15	17	10	9	2	0.015
R412004969	R 1/8	Ø 6	24.5	7.5	16	21	13	12	2	0.03
R412004970	R 1/8	Ø 8	24.5	7.5	18	21.5	13	14	2	0.031
R412004971	R 1/4	Ø 6	28.5	11	16	21	14	12	2	0.034
R412004972	R 1/4	Ø 8	28.5	11	18	21.5	14	14	2	0.035
R412004909	R 1/4	Ø 10	32	11	19	25	16	16	2	0.058
R412004910	R 3/8	Ø 10	32.5	11.5	19	25	18	16	1	0.061

Aventics GmbH
Ulmer Straße 4
30880 Laatzen
Phone +49 511 2136-0
Fax +49 511 2136-269
www.aventics.com
info@aventics.com

AVENTICS

Find more contact information at
www.aventics.com/contact

Only use the AVENTICS products shown in industrial applications. Read the product documentation completely and carefully before using the product.

Observe the applicable regulations and laws of the respective country. When integrating the product into applications, note the system manufacturer's specifications for safe use of the product.

The data specified only serve to describe the product.

No statements concerning a certain condition or suitability for a certain application can be derived from our information.

The information given does not release the user from the obligation of own judgment and verification.

It must be remembered that the products are subject to a natural process of wear and aging.

23-10-2014