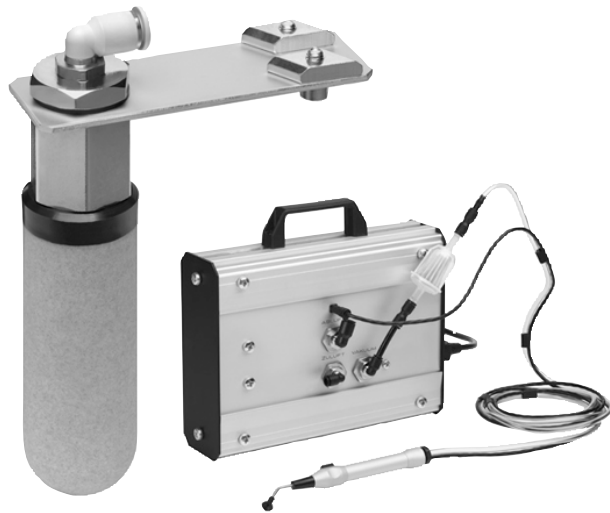


Gripper and vacuum technology ▶ Supplementary products

Vacuum accessories




Brochure

Rexroth
Pneumatics



Gripper and vacuum technology ▶ Supplementary products

Vacuum accessories

	Vacuum control unit, Series VCU	3
	Silencers, Series SI1 ▶ Polyethylene	6
	Core program, Vacuum accessories	on line

Gripper and vacuum technology ► Supplementary products

Vacuum control unit, Series VCU

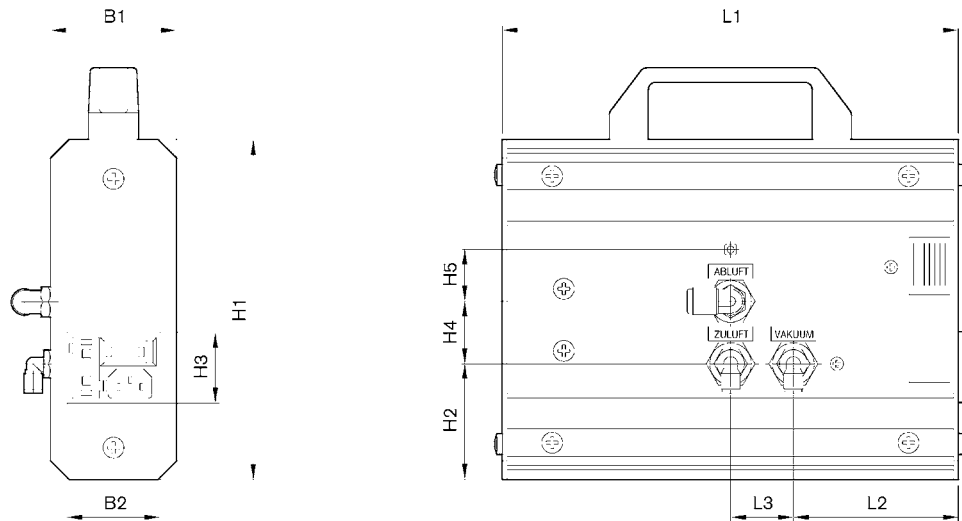


00138424

Working pressure min./max.	4 bar / 7 bar
Ambient temperature min./max.	-15 °C / 50 °C
Medium temperature min./max.	-15 °C / 50 °C
Oil content of compressed air	0 mg/m ³ / 1 mg/m ³
Max. particle size	5 μm
Power consumption	30 W

Version	Air consumption [l/min]	Max. vacuum level at p.opt [%]	Weight [kg]	Fig.	Part No.
control unit	60	90	3.3	Fig. 1	0821305060
Tweezers,dirt filter	60	90	0.2	Fig. 2, Fig. 3	0821305062
suction attachment	60	90	0.005	Fig. 4	1827010512

Fig. 1, control unit



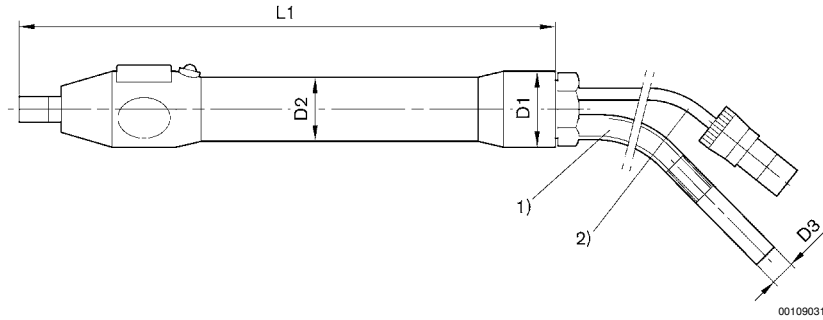
00109030

port: air supply Ø 6, exhaust Ø 8, vacuum Ø 6, 2 m network cable

Part No.	B1	B2	H1	H2	H3	H4	H5	L1	L2	L3
0821305060	70	52	190	65	40	35	30	255	92.5	35

Vacuum control unit, Series VCU

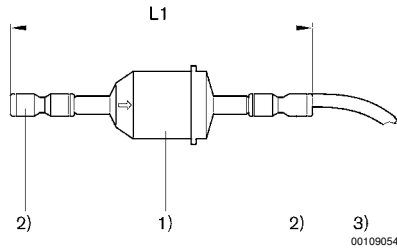
Fig. 2, Tweezers



- 1) PVC tubing Ø 4x1, transparent
- 2) cable/tubing length: 2 m, ± 0.15 m

Part No.	D1	D2	D3	L1								
0821305062	18	15	6	126								

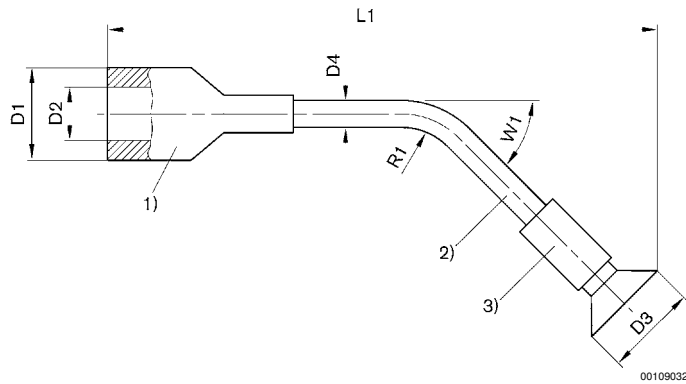
Fig. 3, dirt filter



- 1) filter
- 2) plug-in connector, straight Ø 6 mm
- 3) PU pipe Ø 6 mm, 60 mm long

Part No.	L1
0821305062	135

Fig. 4, suction attachment



- 1) adapter
- 2) suction pipe
- 3) suction cap

Gripper and vacuum technology ▶ Supplementary products

Vacuum control unit, Series VCU

Part No.	D1	D2	D3	D4	L1	R1	W1					
1827010512	10	5.5	10	3	60	8.5	45°					

Silencers, Series SI1

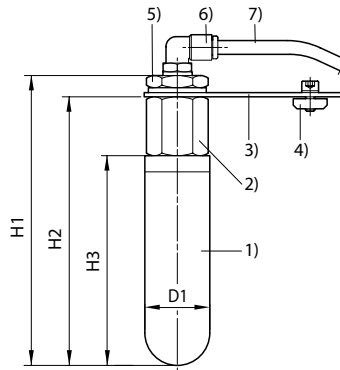
▶ Polyethylene



00127692

Working pressure min./max.	0 bar / 10 bar
Ambient temperature min./max.	-25°C / +80°C
Medium	Compressed air
Materials:	
Silencers	Polyethylene
Thread	Polyethylene

Dimensions



00109033

- 1) silencer (porously sintered polyethylene)
- 2) connector sleeve G 3/4
- 3) holding plate (120x40x2.5)
- 4) 2 x M6x12 including groove lugs
- 5) reducing supports G 3/4 - G 1/4
- 6) angle threaded connector Ø 8 mm
- 7) PU pipe Ø 8 mm, 250 mm long

Part No.	Port G	H1	H2	H3	D1	Weight [kg]				
1827010513	G 3/4	174	161	126	38.5	0.04				

AVENTICS GmbH
Ulmer Straße 4
30880 Laatzen
Phone +49 511 2136-0
Fax +49 511 2136-269
www.aventics.com
info@aventics.com

Find more contact information at
www.aventics.com/contact



Only use the AVENTICS products shown in industrial applications. Read the product documentation completely and carefully before using the product.

Observe the applicable regulations and laws of the respective country. When integrating the product into applications, note the system manufacturer's specifications for safe use of the product.

The data specified only serve to describe the product.

No statements concerning a certain condition or suitability for a certain application can be derived from our information.

The information given does not release the user from the obligation of own judgment and verification.

It must be remembered that the products are subject to a natural process of wear and aging.

17-12-2014