

## Directional valves ▶ Electrically operated

### 5/2-directional valve, Series TC08

▶ Qn = 800 l/min ▶ Pilot valve width: 15 mm ▶ pipe connection ▶ compressed air connection output: G 1/8  
 ▶ Electr. connection: Plug, M8, 4-pin ▶ Manual override: with detent ▶ single solenoid, double solenoid ▶ Qn = 600-800 l/min



00138006

Version	Spool valve, zero overlap
Sealing principle	Soft sealing
Mounting on manifold strip	P-strip
Working pressure min./max.	See table below
Control pressure min./max.	See table below
Ambient temperature min./max.	-10 °C / +50 °C
Medium temperature min./max.	-10 °C / +50 °C
Medium	Compressed air
Max. particle size	5 µm
Oil content of compressed air	0 mg/m³ - 5 mg/m³
Connector standard	DIN EN 60947-5-2
Protection class acc. to DIN EN 61140 electrically	Class III
Degree of protection With connection	IP65
Status display LED	Yellow
Duty cycle	100 %
mounting screw tightening torque	2 Nm
Weight	See table below
Materials:	
Housing	Polyamide, fiber-glass reinforced
Seals	Acrylonitrile Butadiene Rubber; Polyurethane
Front plate	Polyamide, fiber-glass reinforced

Technical Remarks	
■	The min. control pressure must be adhered to, since otherwise faulty switching and valve failure may result!
■	The pressure dew point must be at least 15 °C under ambient and medium temperature and may not exceed 3 °C.
■	The oil content of compressed air must remain constant during the life cycle.
■	Use only the approved oils from AVENTICS, see chapter „Technical information“.

Operational voltage	Voltage tolerance	Power consumption
DC	DC	DC
		W
24 V	-10% / +10%	2.2

	MO	Compressed air connection			Operational voltage	Power consumption	Flow conductance		Flow rate value	Part No.
		Input	Output	Exhaust			b	C		
							[W]	[l/(s*bar)]		
		G 1/8	G 1/8	G 1/8	24 V	2.2	0.36	3.5	800	<b>0820060201</b>
		G 1/8	G 1/8	G 1/8	24 V	2.2	0.36	3.5	800	<b>0820060251</b>
		G 1/8	G 1/8	G 1/8	24 V	2.2	0.36	3.5	800	<b>0820060211</b>

## Directional valves ▶ Electrically operated

### 5/2-directional valve, Series TC08

▶ Qn = 800 l/min ▶ Pilot valve width: 15 mm ▶ pipe connection ▶ compressed air connection output: G 1/8  
 ▶ Electr. connection: Plug, M8, 4-pin ▶ Manual override: with detent ▶ single solenoid, double solenoid ▶ Qn = 600-800 l/min

	MO	Compressed air connection			Operational voltage	Power consumption	Flow conductance		Flow rate value	Part No.		
		Input	Output	Exhaust			DC	24 V DC			b	C
								[W]				[l/(s*bar)]
		G 1/8	G 1/8	G 1/8	24 V	2.2	0.36	3.5	800	<b>0820060261</b>		
		G 1/8	G 1/8	G 1/8	24 V	2.2	0.36	3.5	800	<b>0820060221</b>		
		G 1/8	G 1/8	G 1/8	24 V	2.2	0.36	3.5	800	<b>0820060271</b>		

Part No.	Nominal resistance	Working pressure min./max.	Control pressure min./max.	Switch-on time	Switch-off time	Weight	Note
		[bar]	[bar]	$t_F$ [ms]	$t_E$ [ms]	[kg]	
<b>0820060201</b>	280	2.5 / 10	2.5 / 10	14	18	0.14	1)
<b>0820060251</b>	280	-0.9 / 10	2.5 / 10	14	18	0.14	2)
<b>0820060211</b>	280	3 / 10	3 / 10	14	17	0.14	1)
<b>0820060261</b>	280	-0.9 / 10	3 / 10	14	17	0.14	2)
<b>0820060221</b>	280	2 / 10	2 / 10	10	10	0.172	1)
<b>0820060271</b>	280	-0.9 / 10	2 / 10	10	10	0.172	2)

HHB = Manual override

1) Pilot: internal

2) Pilot: External

push-in fitting: Brass, nickel-plated; Die cast zinc, chrome-plated

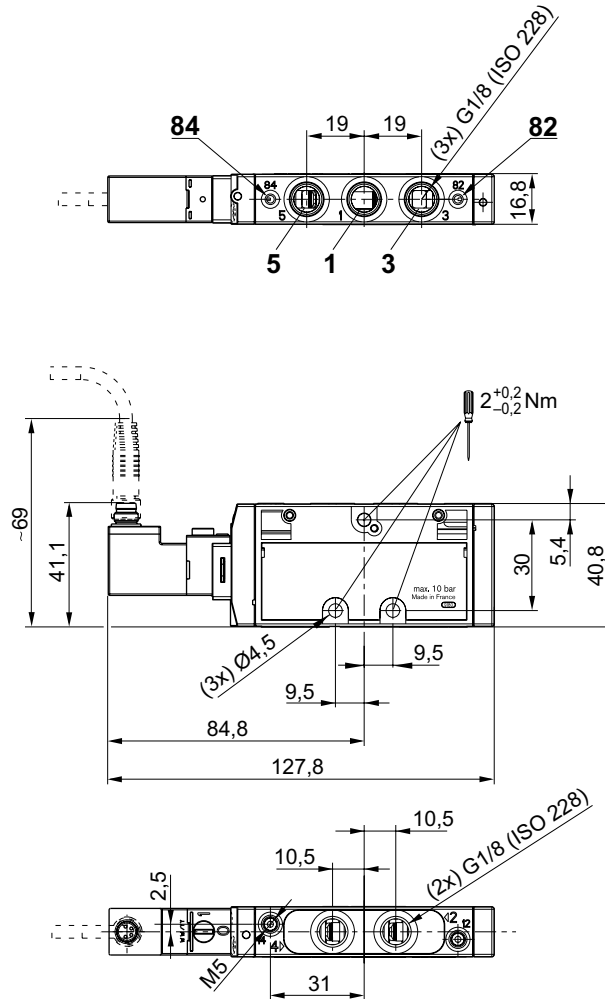
Nominal flow Qn at 6 bar and  $\Delta p = 1$  bar

Directional valves ▶ Electrically operated

**5/2-directional valve, Series TC08**

- ▶ Qn = 800 l/min ▶ Pilot valve width: 15 mm ▶ pipe connection ▶ compressed air connection output: G 1/8
- ▶ Electr. connection: Plug, M8, 4-pin ▶ Manual override: with detent ▶ single solenoid, double solenoid ▶ Qn = 600-800 l/min

Dimensions, single solenoid



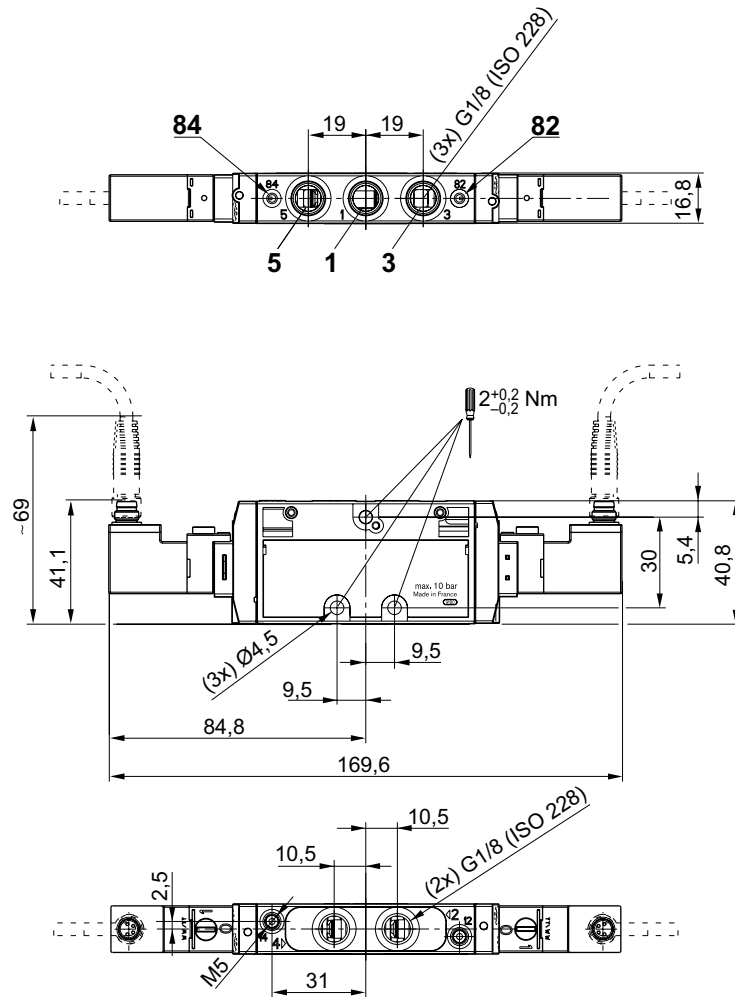
00111977\_a

## Directional valves ▶ Electrically operated

### 5/2-directional valve, Series TC08

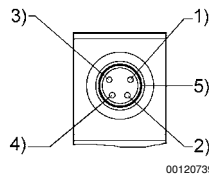
- ▶ Qn = 800 l/min ▶ Pilot valve width: 15 mm ▶ pipe connection ▶ compressed air connection output: G 1/8
- ▶ Electr. connection: Plug, M8, 4-pin ▶ Manual override: with detent ▶ single solenoid, double solenoid ▶ Qn = 600-800 l/min

#### Dimensions, double solenoid



00111978\_a

#### PIN assignment and cable colors for electrical connector



#### PIN assignment:

- 1) PIN not assigned
- 2) PIN not assigned
- 3) 0 V
- 4) 24 V
- 5) LED

#### Cable colors

- 1) Brown
- 2) White
- 3) Blue
- 4) Black