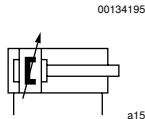


Piston rod cylinder ▶ Standard cylinders

ISO 15552, Series TRB

▶ Ø 32 - 125 mm ▶ Ports: G 1/8 - G 1/2 ▶ **double-acting** ▶ **with magnetic piston** ▶ **cushioning: pneumatically, adjustable, pneumatically** ▶ **Piston rod: external thread** ▶ **ATEX optional**



Standards	ISO 15552
Compressed air connection	internal thread
Working pressure min./max.	1.5 bar / 10 bar
Ambient temperature min./max.	-20 °C / +80 °C
Medium temperature min./max.	-20 °C / +80 °C
Medium	Compressed air
Max. particle size	50 µm
Oil content of compressed air	0 mg/m ³ - 5 mg/m ³
Pressure for determining piston forces	6,3 bar

Materials:	
Cylinder tube	Aluminum, anodized
Piston rod	Stainless steel
Front cover	Die-cast aluminum
End cover	Die-cast aluminum
Seal	Polyurethane
Nut for piston rod	Steel, galvanized
Scraper	Polyurethane

Technical Remarks

- The pressure dew point must be at least 15 °C under ambient and medium temperature and may not exceed 3 °C.
- The oil content of compressed air must remain constant during the life cycle.
- Use only the approved oils from AVENTICS, see chapter „Technical information“.
- ATEX-certified cylinders can be generated in the Internet configurator.
- ATEX ID: II 2G c IIB T4 II 2D c IP65 T125 °C X
- The operating temperature range for ATEX-certified cylinders is -20 °C to 50 °C.

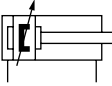
Piston Ø	[mm]	32	40	50	63	80
Retracting piston force	[N]	435	660	1035	1765	2855
Extracting piston force	[N]	505	790	1235	1960	3165
Cushioning length	[mm]	16.5	19	17	16.5	19.5
Cushioning energy	[J]	4.8	9	15	27	54
Weight	0 mm stroke	[kg]	0.46	0.67	1.14	2.12
	+10 mm stroke	[kg]	0.024	0.03	0.036	0.052
Stroke max.	[mm]	1600	1900	2100	2500	2800
Tie-rods		Stainless steel	Stainless steel	Steel galvanized	Steel galvanized	Steel galvanized

Piston Ø	[mm]	100	125		
Retracting piston force	[N]	4635	7220		
Extracting piston force	[N]	4945	7725		
Cushioning length	[mm]	19.5	22		
Cushioning energy	[J]	88	140		
Weight	0 mm stroke	[kg]	3.16	6.92	
	+10 mm stroke	[kg]	0.065	0.21	
Stroke max.	[mm]	2800	2750		
Tie-rods		Steel galvanized	Steel galvanized		

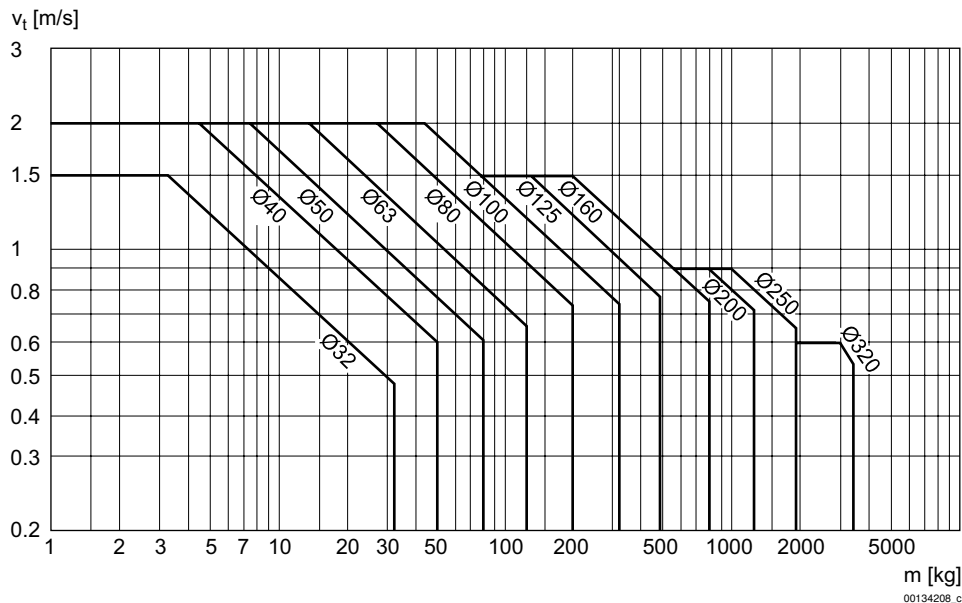
Piston rod cylinder ▶ Standard cylinders

ISO 15552, Series TRB

▶ Ø 32 - 125 mm ▶ Ports: G 1/8 - G 1/2 ▶ double-acting ▶ with magnetic piston ▶ cushioning: pneumatically, adjustable, pneumatically ▶ Piston rod: external thread ▶ ATEX optional

Piston Ø Piston rod thread Ports Piston rod Ø	32	40	50	63	80	
	M10x1,25 G 1/8 12	M12x1,25 G 1/4 16	M16x1,5 G 1/4 20	M16x1,5 G 3/8 20	M20x1,5 G 3/8 25	
	Stroke 25	0822340001	0822341001	0822342001	0822343001	0822344001
	50	0822340002	0822341002	0822342002	0822343002	0822344002
	80	0822340003	0822341003	0822342003	0822343003	0822344003
	100	0822340004	0822341004	0822342004	0822343004	0822344004
	125	0822340005	0822341005	0822342005	0822343005	0822344005
	160	0822340006	0822341006	0822342006	0822343006	0822344006
	200	0822340007	0822341007	0822342007	0822343007	0822344007
	250	0822340008	0822341008	0822342008	0822343008	0822344008
	320	0822340009	0822341009	0822342009	0822343009	0822344009
	400	0822340010	0822341010	0822342010	0822343010	0822344010
	500	0822340011	0822341011	0822342011	0822343011	0822344011
Piston Ø Piston rod thread Ports Piston rod Ø	100	125				
	M20x1,5 G 1/2 25	M27x2 G 1/2 32				
Stroke 25	0822345001	0822306201				
50	0822345002	0822306202				
80	0822345003	0822306203				
100	0822345004	0822306204				
125	0822345005	0822306205				
160	0822345006	0822306206				
200	0822345007	0822306207				
250	0822345008	0822306208				
320	0822345009	0822306209				
400	0822345010	0822306210				
500	0822345011	0822306211				

Cushioning diagram



v = Piston velocity [m/s]
 m = Cushionable mass [kg]

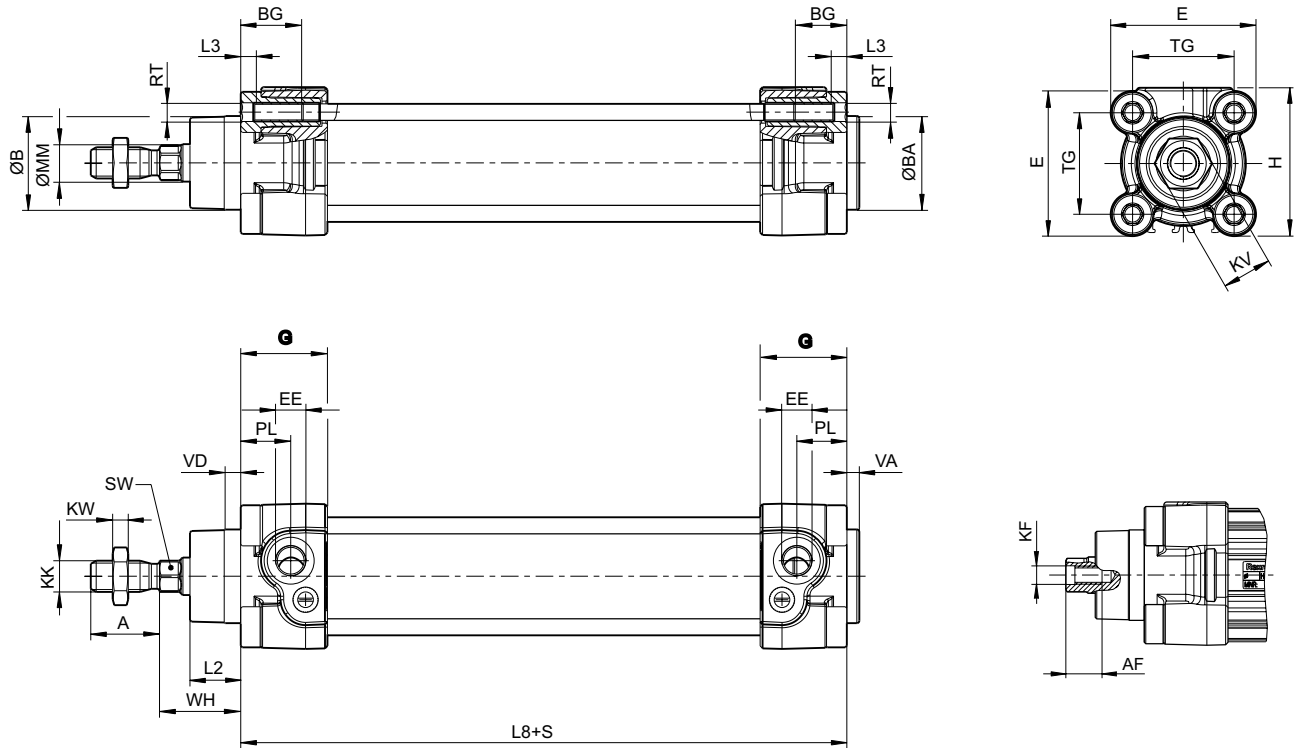
00134208_c

Piston rod cylinder ▶ Standard cylinders

ISO 15552, Series TRB

▶ Ø 32 - 125 mm ▶ Ports: G 1/8 - G 1/2 ▶ double-acting ▶ with magnetic piston ▶ cushioning: pneumatically, adjustable, pneumatically ▶ Piston rod: external thread ▶ ATEX optional

Dimensions



S = stroke

00134211_a

Piston Ø	A -2	AF+1	ØB d11	ØBA d11	BG min.	E	EE	G	H	KF	KK
32	22	12	30	30	16	46.5	G1/8	27.75	47.5	M6	M10x1,25
40	24	13.5	35	35	16	53	G1/4	33.25	53	M8	M12x1,25
50	32	17	40	40	16	65	G1/4	31	65	M10	M16x1,5
63	32	17	45	45	16	75	G3/8	38.25	75	M10	M16x1,5
80	40	21	45	45	17	95	G3/8	38.25	95	M12	M20x1,5
100	40	21	55	55	17	115	G1/2	42.25	115	M12	M20x1,5
125	54	28	60	60	20	140	G1/2	53.85	140	M16	M27x2

Piston Ø	KV	KW	ØMM f8	PL	L2	L3 ±0,5	L8	RT	SW	TG	VA -1
32	16	5	12	16	16.25	4.5	94±0,4	M6	10	32,5±0,5	4
40	18	6	16	20	18.25	4.5	105±0,7	M6	13	38±0,5	4
50	24	8	20	19	25	4.5	106±0,7	M8	17	46,5±0,6	4
63	24	8	20	24	25	4.5	121±0,8	M8	17	56,5±0,7	4
80	30	10	25	23.5	33	0	128±0,8	M10	22	72±0,7	4
100	30	10	25	25	36	0	138±1	M10	22	89±0,7	4
125	41	13.5	32	33	45	0	160±1	M12	27	110±1,1	6

Piston Ø	VD	WH									
32	5	26±1,4									
40	5	30±1,4									
50	5	37±1,4									
63	5	37±1,8									
80	5	46±1,8									
100	5	51±1,8									
125	7	65±2,2									