

Electrical connection technologies ▶ Electrical connection technologies

Electrical connectors with cable, series CN1

Brochure

Rexroth
Pneumatics



Electrical connection technologies ▶ Electrical connection technologies

Electrical connectors with cable, series CN1

Electrical connector Form A



Electrical connectors with cable, Series CN1
▶ ISO 4400, form A ▶ 18 mm ▶ with cable

3

electrical connector form B



Electrical connectors with cable, Series CN1
▶ ISO 6952, form B ▶ 10 mm ▶ with cable

5

electrical connector form B, industry



Electrical connectors with cable, Series CN1
▶ Industry standard ▶ Electrical connector, Form B, industry ▶ 11 mm ▶ with cable

6

electrical connector form C



Electrical connectors with cable, Series CN1
▶ 8 mm ▶ with cable

7



Electrical connectors, Series CN1
▶ ISO 15217, form C ▶ 8 mm ▶ with cable

9

electrical connector form C, industry



Electrical connectors, Series CN1
▶ Industry standard ▶ form C, industry ▶ screened ▶ with cable

10

Accessories



Connecting cable, Series CN2
▶ Socket, M8, 4-pin ▶ open cable ends, 4-pin ▶ straight

11



Connecting cable, Series CN2
▶ Socket, M8, 4-pin ▶ open cable ends, 4-pin ▶ angled

11



Adapter, Series CN1
▶ Form C, ISO 15217/M 12

12

Electrical connection technologies ▶ Electrical connection technologies

Electrical connectors with cable, Series CN1

▶ ISO 4400, form A ▶ 18 mm ▶ with cable

Ambient temperature min./max. -20°C / +80°C
 Protection class IP67
 Tightening torque for mounting screws 0.4 Nm



00110292_b

	-20% / +20% max.		Protective circuit	Contact assignment	LED status display	Wire cross-section [mm ²]	Cable length L [m]	Part No.
	[V DC]	[V AC]						
	230	230	-	2+E	-	0.75	3	1834484160
	24	24	Z-diode	2+E	Yellow	0.75	3	1834484162
	24	24	Z-diode	2+E	Yellow	0.75	5	1834484163
	230	230	Varistor	2+E	Red	0.75	3	1834484164
	230	230	Varistor	2+E	Red	0.75	5	1834484165

Part No.	Weight [kg]	Fig.	Note
1834484160	0.2	Fig. 1	1)
1834484162	0.2	Fig. 2	-
1834484163	0.31	Fig. 2	-
1834484164	0.2	Fig. 2	-
1834484165	0.31	Fig. 2	-

1) Flat gasket

Electrical connectors with cable, Series CN1

▶ ISO 4400, form A ▶ 18 mm ▶ with cable

Fig. 1

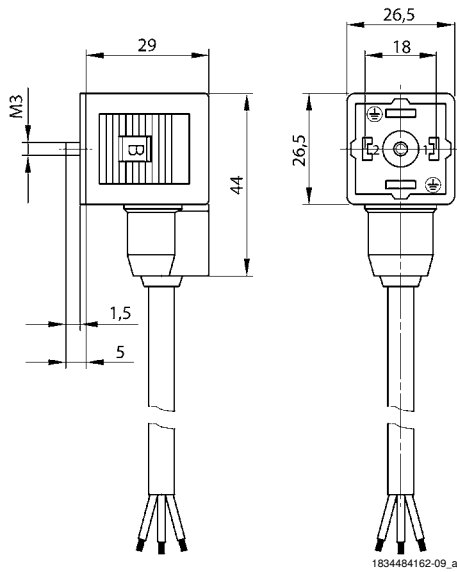
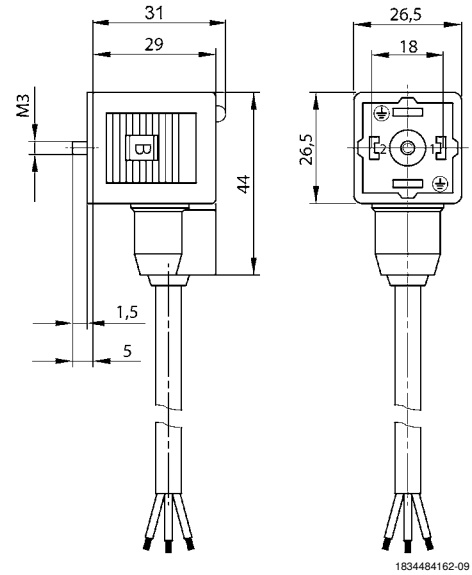


Fig. 2



Electrical connection technologies ▶ Electrical connection technologies

Electrical connectors with cable, Series CN1

▶ ISO 6952, form B ▶ 10 mm ▶ with cable

Ambient temperature min./max.	-20 °C / +80 °C
Protection class	IP67
Cable exit	angled 90°
Wire cross-section	0.75 mm ²
Tightening torque for mounting screws	0.4 Nm



00110292_a

Materials:	
Housing color	Black
Seals	caoutchouc/butadiene caoutchouc

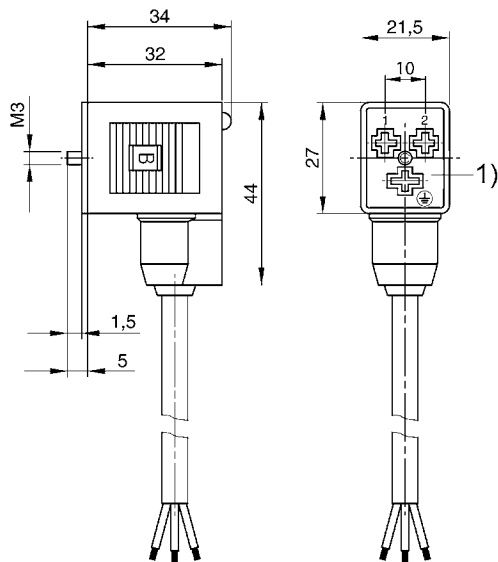
	-20% / +20% max.		Max. current [A]	Protective circuit	Contact assignment	LED status display	Cable length L [m]	Part No.
	[V DC]	[V AC]						
	24	24	10	Z-diode	2+E	Yellow	3	1834484152
							3	1834484153
							5	1834484154
							5	1834484155

Part No.	Weight [kg]	Fig.	Note
1834484152	0.2	Fig. 1	1)
1834484153	0.2	Fig. 2	
1834484154	0.31	Fig. 1	
1834484155	0.31	Fig. 2	

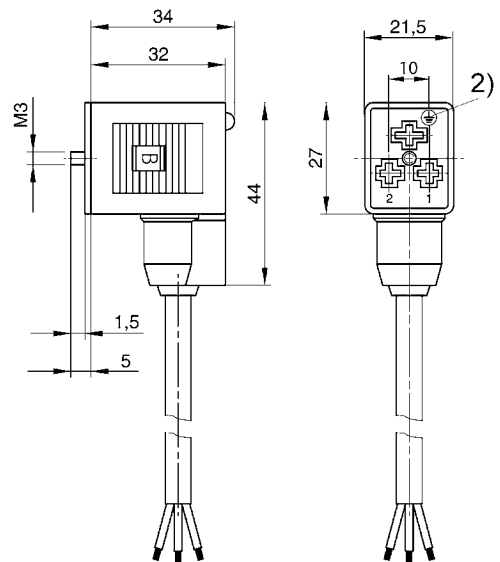
1) Flat gasket

Fig. 1

Fig. 2



00132066



00132069

1) 0° female insert

2) 180° female insert

Electrical connectors with cable, Series CN1

▶ Industry standard ▶ Electrical connector, Form B, industry ▶ 11 mm ▶ with cable



00110292_a

Ambient temperature min./max.	-20 °C / +80 °C
Protection class	IP67
Cable exit	angled 90°
Wire cross-section	0.75 mm ²
Tightening torque for mounting screws	0.4 Nm

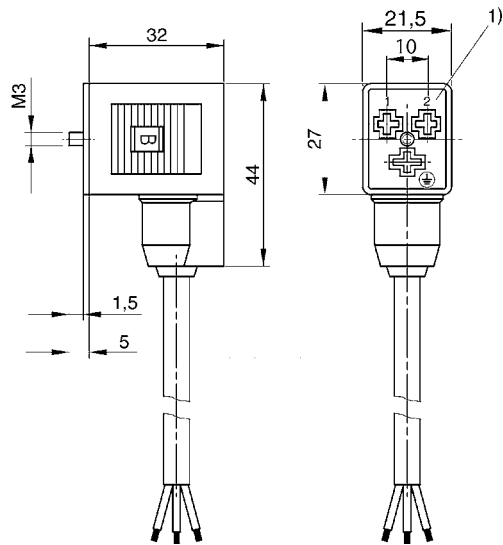
Materials:	
Cable sheath	Polyvinyl chloride

Technical Remarks

- For security reasons, the electrical connector must be plugged properly and centrally.

	Max. current [A]	Contact assignment	Cable length L [m]	Weight [kg]	Part No.
	4	2+E	3	0.02	8946201912

Dimensions



1834484162-10_b

1) 0° female insert

Electrical connection technologies ▶ Electrical connection technologies

Electrical connectors with cable, Series CN1

▶ 8 mm ▶ with cable

Ambient temperature min./max. -20°C / +80°C
 Protection class IP67
 Tightening torque for mounting screws 0.4 Nm

Materials:
 Seals caoutchouc/butadiene caoutchouc



P894_018

	-20% / +20% max.		Max. current [A]	Protective circuit	Contact assignment	LED status display	Cable length L [m]	Part No.
	[V DC]	[V AC]						
	24	24	6	Z-diode	2+E	Yellow	3	1834484204
							3	1834484205
							5	1834484206
							5	1834484207
							10	1834484236
	230	230	6	Varistor	2+E	Yellow	3	1834484208
							3	1834484209
							5	1834484210
							5	1834484211
	230	230	6	-	2+E	-	3	1834484212
							3	1834484213
							5	1834484214
							5	1834484215

Part No.	Weight [kg]	Fig.	Note
1834484204	0.185	Fig. 1	
1834484205	0.185	Fig. 2	
1834484206	0.292	Fig. 1	1)
1834484207	0.298	Fig. 2	
1834484236	0.571	Fig. 2	
1834484208	0.171	Fig. 1	
1834484209	0.194	Fig. 2	
1834484210	0.297	Fig. 1	1)
1834484211	0.285	Fig. 2	
1834484212	0.183	Fig. 1	
1834484213	0.183	Fig. 2	
1834484214	0.308	Fig. 1	
1834484215	0.308	Fig. 2	

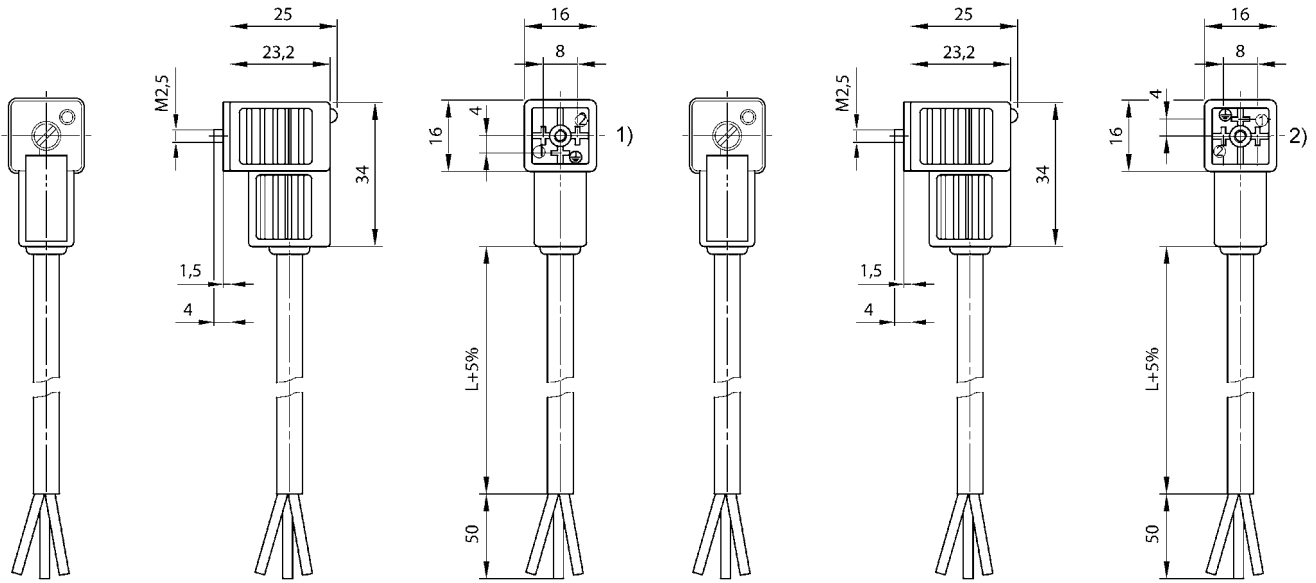
1) Flat gasket

Electrical connectors with cable, Series CN1

▶ 8 mm ▶ with cable

Fig. 1

Fig. 2



1) 0° female insert

2) 180° female insert

Electrical connection technologies ▶ Electrical connection technologies

Electrical connectors, Series CN1
 ▶ ISO 15217, form C ▶ 8 mm ▶ with cable

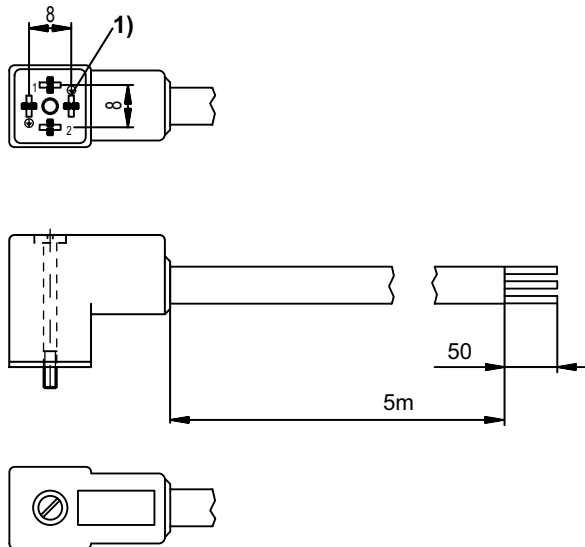
Protection class IP67
 Cable exit angled 90°
 Materials:
 Cable sheath Polyvinyl chloride



00119140

	Contact assignment	Number of wires	Cable length L [m]	Weight [kg]	Note	Part No.
	2+E	3	5	0.3068	1)	8946201612
1) With coding pin						

Dimensions



00131797

1) Coding pin

Electrical connectors, Series CN1

▶ Industry standard ▶ form C, industry ▶ screened ▶ with cable

Cable exit angled 90°

Materials:
Cable sheath Polyvinyl chloride

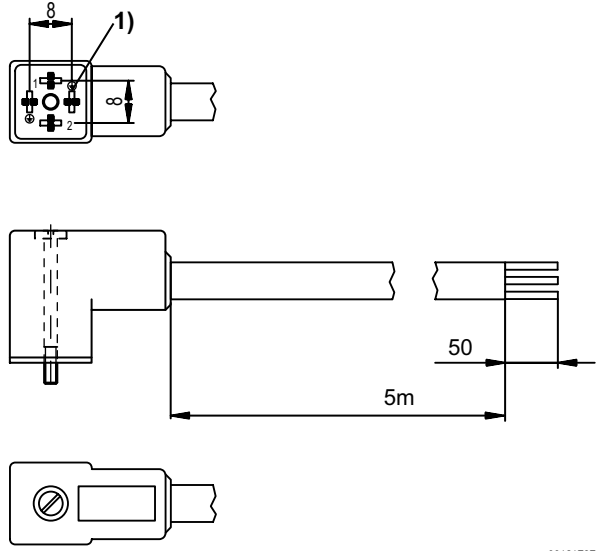


00119140

	Contact assignment	Number of wires	Cable length L [m]	Weight [kg]	Part No.
	3+E	4	5	0.295	8946201602

1) With coding pin

Dimensions



00131797

1) Coding pin

Electrical connectors with cable, Series CN1

Accessories

Connecting cable, Series CN2

▶ Socket, M8, 4-pin ▶ open cable ends, 4-pin ▶ straight



00107009_b

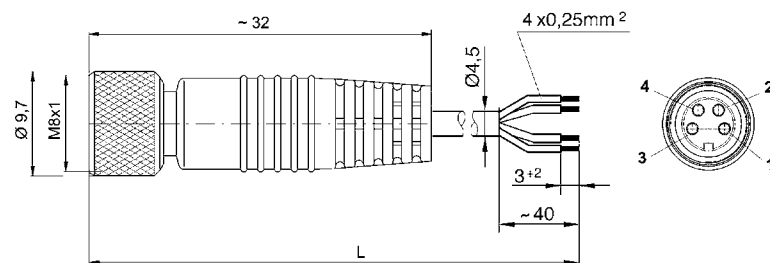
Ambient temperature min./max.	-40°C / +85°C
Protection class	IP65
Cable exit	straight 180°
Wire cross-section	0.25 mm ²
Materials:	
Cable sheath	Polyurethane

Technical Remarks

- The specified protection class is valid only in assembled and tested state.

	-20% / +20% max. [V DC]	Number of wires	Cable-Ø [mm]	Cable length L [m]	Part No.
	24	4	4.5	3	1834484144
				5	1834484146

Dimensions



00127634_1

(1) BN=brown (2) WH=white (3) BU=blue (4) BK=black
L = length

Connecting cable, Series CN2

▶ Socket, M8, 4-pin ▶ open cable ends, 4-pin ▶ angled



00107009_c

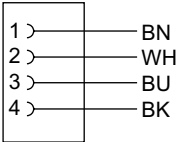
Ambient temperature min./max.	-40°C / +85°C
Protection class	IP65
Cable exit	angled 90°
Wire cross-section	0.25 mm ²
Materials:	
Cable sheath	Polyurethane

Electrical connectors with cable, Series CN1

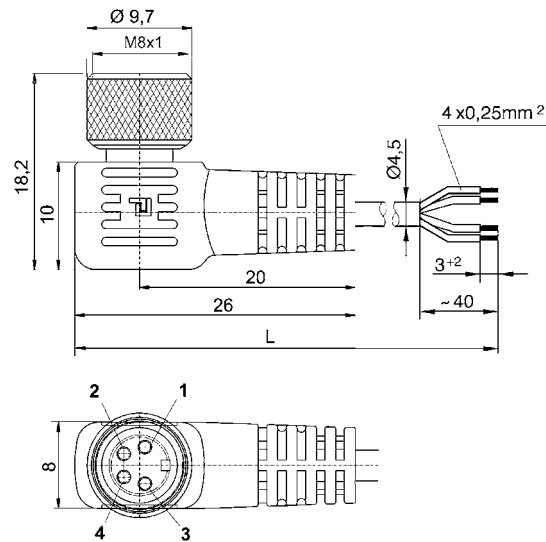
Accessories

Technical Remarks

- The specified protection class is valid only in assembled and tested state.

	-20% / +20% max. [V DC]	Number of wires	Cable-Ø [mm]	Cable length L [m]	Part No.
	24	4	4.5	3	1834484145
				5	1834484147

Dimensions



00127634_2

(1) BN=brown (2) WH=white (3) BU=blue (4) BK=black
L = length

Adapter, Series CN1

► Form C, ISO 15217/M 12



Ambient temperature min./max.
Protection class
Operational voltage DC, max.
mounting screw tightening torque

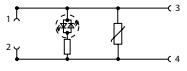
-10°C / +100°C
IP65
24 VDC
0.6 Nm

Materials:
Housing

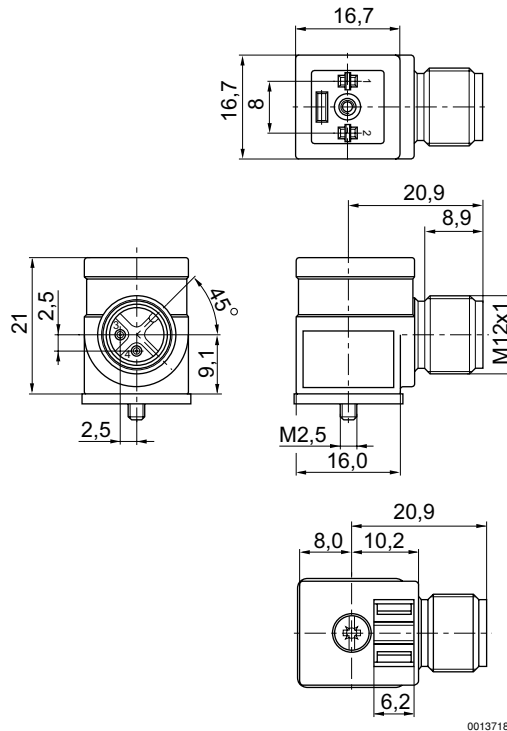
Polyurethane

00137187

Electrical connectors with cable, Series CN1
Accessories

	Max. current	Contact assignment	Protective circuit	LED status display	Housing color	Part No.
	[A]					
	1	2+E	Varistor	Yellow	Transparent	R412009553

Dimensions



00137185

AVENTICS GmbH
Ulmer Straße 4
30880 Laatzen
Phone +49 511 2136-0
Fax +49 511 2136-269
www.aventics.com
info@aventics.com



Find more contact information at
www.aventics.com/contact

Only use the AVENTICS products shown in industrial applications. Read the product documentation completely and carefully before using the product.

Observe the applicable regulations and laws of the respective country. When integrating the product into applications, note the system manufacturer's specifications for safe use of the product.

The data specified only serve to describe the product.

No statements concerning a certain condition or suitability for a certain application can be derived from our information.

The information given does not release the user from the obligation of own judgment and verification.

It must be remembered that the products are subject to a natural process of wear and aging.

18-12-2014