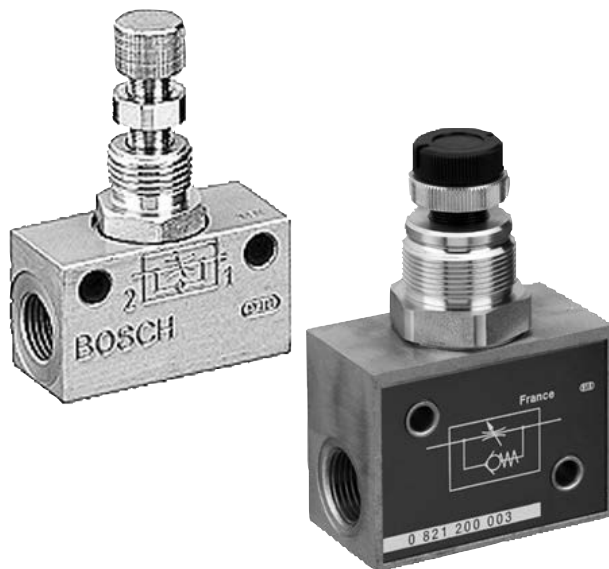


Flow and check valves ▶ Supplementary products

Series CC01






Brochure

Rexroth
Pneumatics



Flow and check valves ▶ Supplementary products

Series CC01

	<p>Series CC01</p> <p>▶ Qn = 100 - 1650 l/min ▶ direction of throttle: 1 → 2 ▶ internal thread - internal thread</p>	3
	<p>Series CC01</p> <p>▶ Qn = 32 - 5600 l/min ▶ direction of throttle: 1 → 2 ▶ internal thread - internal thread</p>	4
	<p>Core program, Series CC01</p>	on line
Accessories		
	<p>Protective cap</p>	8
	<p>Hexagonal nut for panel installation</p>	8

Flow and check valves ▶ Supplementary products

Series CC01

▶ Qn = 100 - 1650 l/min ▶ direction of throttle: 1 → 2 ▶ internal thread - internal thread



00136283

Working pressure min./max.
Ambient temperature min./max.
Medium temperature min./max.
Medium

0.5 bar / 10 bar
+0°C / +80°C
+0°C / +80°C
Compressed air

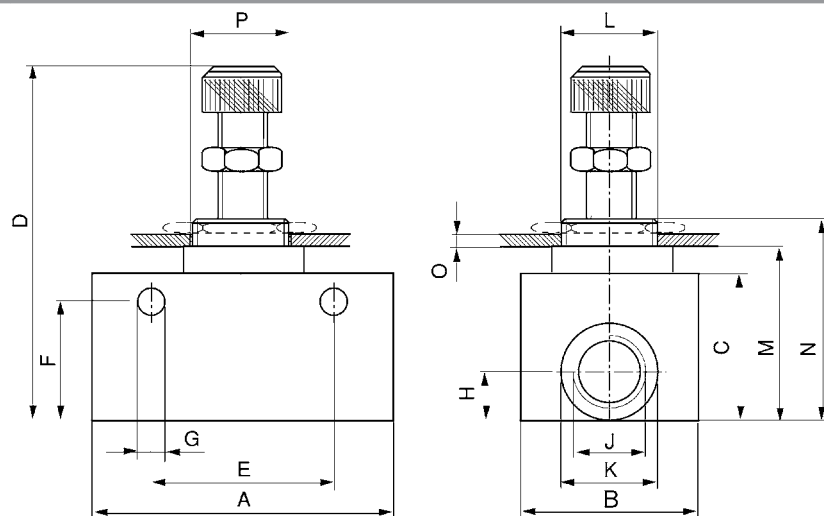
Materials:
Housing
Seal

Aluminum, anodized
Acrylonitrile Butadiene Rubber

	Port 1	Port 2	Qn 1 → 2 [l/min]	Weight [kg]	Delivery quantity [Piece]	Part No.
	M5	M5	130	0.05	1	5341120000
	G 1/8	G 1/8	100	0.05		5341121100
	G 1/4	G 1/4	500	0.07		5341122100
	G 3/8	G 3/8	1300	0.08		5341123100
	G 1/2	G 1/2	1650	0.09		5341124100

Nominal flow Qn at 6 bar and Δp = 1 bar

Dimensions



D534_112

Part No.	Port G	J	A	B	C	D	E	F	Ø G	H	Ø K
5341120000	M5	M5	26	14	16	40-45	18	12.5	4.4	6	8.7
5341121100	G 1/8	G 1/8	32	16	22	44-56	24	18	4.3	10	14.4
5341122100	G 1/4	G 1/4	55	25	32	66-74	35	25	6.4	12	19.5
5341123100	G 3/8	G 3/8	58	30	40	78-93	44	33	6.6	14	23
5341124100	G 1/2	G 1/2	68	30	40	77-92	50	33	6.4	14	27.5

Part No.	L	M	N	O	Ø P						
5341120000	M10x1	20	26	2	10.5						
5341121100	M12x1	26	33.6	2	12.5						
5341122100	M20x1,5	37.8	47.9	3	20.5						
5341123100	M24x1,5	47	57	3	25						
5341124100	M24x1,5	47	57	3	25						

Supplementary products

Part numbers marked in bold are available from the central warehouse in Germany, see the shopping basket for more detailed information

Pneumatics catalog, online PDF, as of 2014-10-26, ©AVENTICS S.a.r.l., subject to change

Series CC01

▶ Qn = 32 - 5600 l/min ▶ direction of throttle: 1 → 2 ▶ internal thread - internal thread



00108479_1

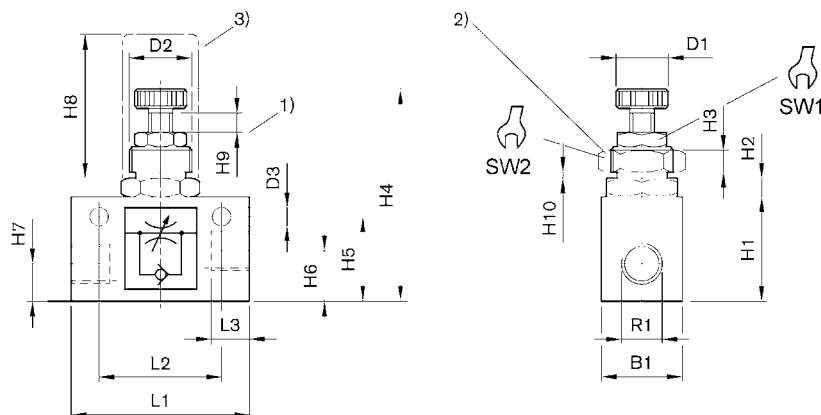
Working pressure min./max. 0.5 bar / 10 bar
 Ambient temperature min./max. +0°C / +80°C
 Medium temperature min./max. +0°C / +80°C
 Medium Compressed air

Materials:
 Housing Aluminum, anodized
 Flow control screw Steel, galvanized
 Seal Acrylonitrile Butadiene Rubber

	Port 1	Port 2	Throttle bore Ø	Qn 1 → 2	Weight	Delivery quantity	Fig.	Part No.
			[mm]	[l/min]	[kg]	[Piece]		
	G 1/8	G 1/8	1	32	0.04	1	Fig. 1	0821200009
	G 1/8	G 1/8	2	130	0.04		Fig. 1	0821200008
	G 1/4	G 1/4	4	550	0.15		Fig. 1	0821200005
	G 3/8	G 3/8	9	1600	0.26		Fig. 2	0821200014
	G 1/2	G 1/2	8.5	2750	0.67		Fig. 3	0821200003
	G 3/4	G 3/4	17.5	5400	0.64		Fig. 4	0821200015
	G 1	G 1	17.5	5600	0.64	Fig. 4	0821200016	

Nominal flow Qn at 6 bar and Δp = 1 bar

Fig. 1



00109106

- 1) throttle setting range
 2) nut for control panel installation
 3) protective cap

Part No.	Port G	R1	B1	D1	D2	D3	H1	H2	H3	H4	H5	H6
0821200009	G 1/8	G 1/8	16	10	M12x1	4.5	20	4	4	56	16.5	8
0821200008	G 1/8	G 1/8	16	10	M12x1	4.5	20	4	4	56	16.5	8
0821200005	G 1/4	G 1/4	25	13	M20x1,5	5.5	32	5.5	6	70	26	15

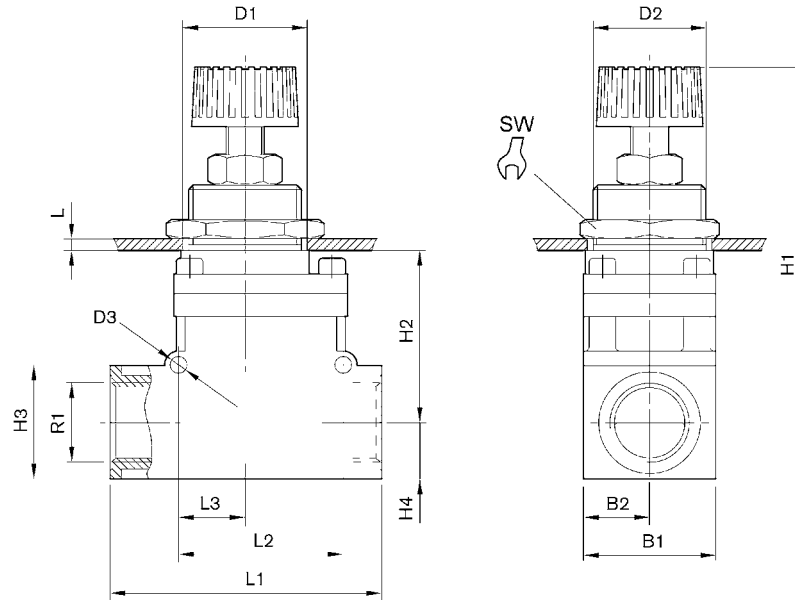
Part No.	H7	H8	H9	H10	L1	L2	L3	SW1	SW2
0821200009	8	35	4	3.5	35	25	8	10	17
0821200008	8	35	4	3.5	35	25	8	10	17
0821200005	11	40	5	3.5	55	38	12	13	24

Flow and check valves ▶ Supplementary products

Series CC01

▶ Qn = 32 - 5600 l/min ▶ direction of throttle: 1 → 2 ▶ internal thread - internal thread

Fig. 2



00109108

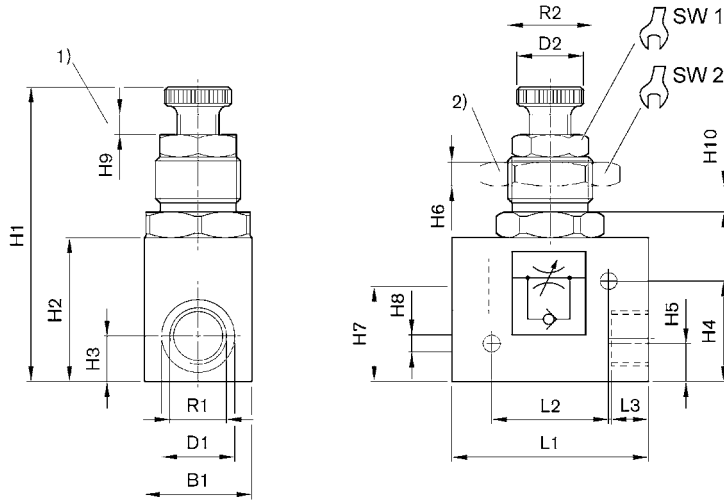
Part No.	Port G	R1	B1	B2	D1	D2	D3	H1	H2	H3	H4	L 1)
0821200014	G 3/8	G 3/8	35	17.5	30.5	30	4.5	102-109	46	30	15	12
Part No.	L1	L2	L3	SW								
0821200014	72	44	18	36								

1) Max.

Series CC01

▶ $Q_n = 32 - 5600 \text{ l/min}$ ▶ direction of throttle: 1 → 2 ▶ internal thread - internal thread

Fig. 3



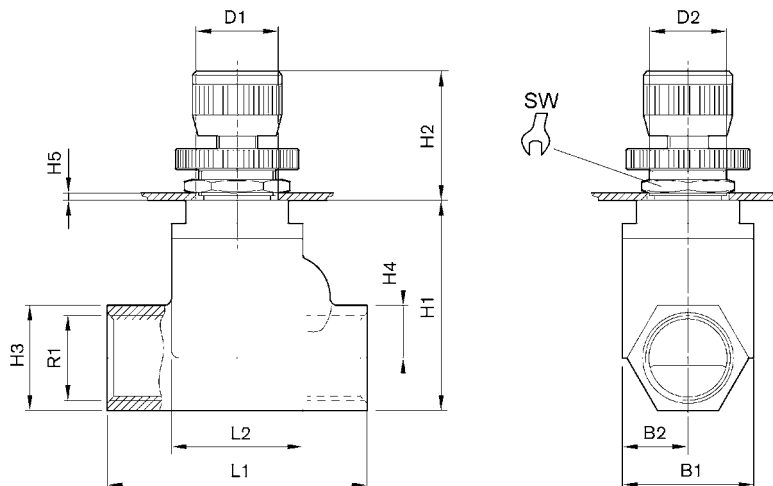
00109107

- 1) throttle setting range
2) nut for control panel installation

Part No.	Port G	R1	B1	D1	D2	H1	H2	H3	H4	H5	H6	H7
0821200003	G 1/2	G 1/2	40	27	25	120	56	17	40.5	15.5	9	37
Part No.	H8	H9	H10 1)	L1	L2	L3	R2	SW1	SW2			
0821200003	6.5	8	9	75	45	14	M32x1,5	24	46			

1) Max.

Fig. 4



00109110

Flow and check valves ▶ Supplementary products

Series CC01

▶ Qn = 32 - 5600 l/min ▶ direction of throttle: 1 → 2 ▶ internal thread - internal thread

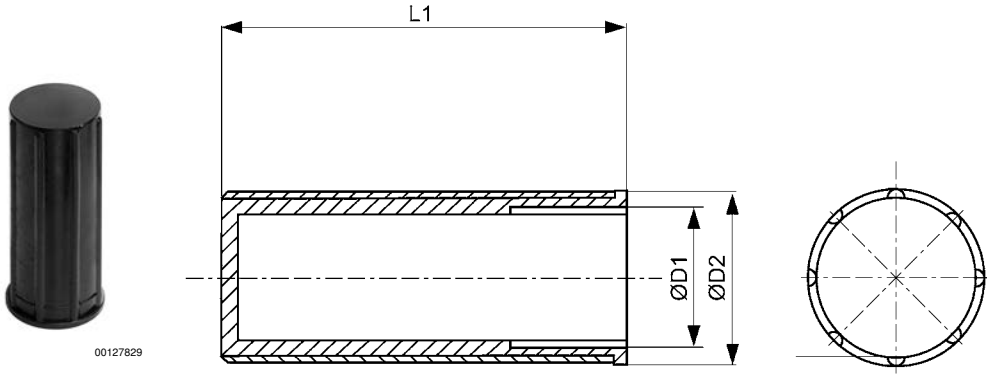
Part No.	Port G	R1	B1	B2	D1	D2	H1	H2	H3	H4	H5 1)	L1
0821200015	G 3/4	G 3/4	50	25	30.5	30	82	47-57,5	41	20.5	6	100
0821200016	G 1	G 1	50	25	30.5	30	82	47-57,5	41	20.5	6	100

Part No.	L2	SW										
0821200015	51	36										
0821200016	51	36										

1) Max.

Series CC01
Accessories

Protective cap

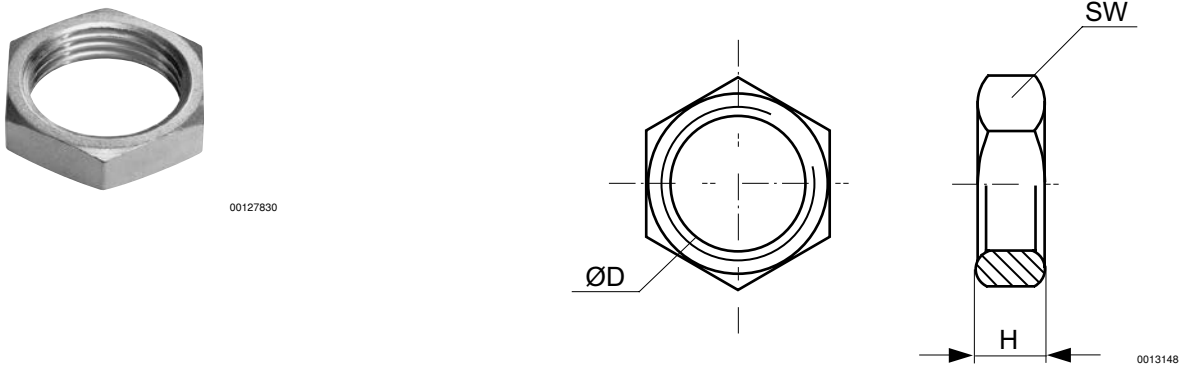


00127829

00131487

Part No.	Ø D1	Ø D2	L1	Weight [kg]	Delivery quantity [Piece]								
1823317003	M12x1	15	35	0.002	10								
1823317002	M20x1,5	24	40	0.004	10								

Hexagonal nut for panel installation



00127830

00131488

Part No.	Ø D	H	SW	Delivery quantity [Piece]									
1823300009	M20x1,5	6	24	10									
1823300010	M32x1,5	9	46	5									

Aventics GmbH
Ulmer Straße 4
30880 Laatzen
Phone +49 511 2136-0
Fax +49 511 2136-269
www.aventics.com
info@aventics.com

AVENTICS

Find more contact information at
www.aventics.com/contact

Only use the AVENTICS products shown in industrial applications. Read the product documentation completely and carefully before using the product.

Observe the applicable regulations and laws of the respective country. When integrating the product into applications, note the system manufacturer's specifications for safe use of the product.

The data specified only serve to describe the product.

No statements concerning a certain condition or suitability for a certain application can be derived from our information.

The information given does not release the user from the obligation of own judgment and verification.

It must be remembered that the products are subject to a natural process of wear and aging.

26-10-2014